



Message Implementation Guideline

VDA 4990 T2 - GLOBAL INVRPT

based on

INVRPT

Inventory report message

UN D.13A S3

Version: V 1.0 - 2014
Variant: Conti
Issue date: 30.04.2014
Author: Klaus Hobmeier



Structure / Table of Contents

Tag	St	MaxOcc	Content
UNA	O	1	Service string advice UNA:+.?'
UNB	M	1	Interchange header UNB+UNOC:3+OD012345:59:123+987654321:1:LAFES+071205:1446+144659+++++1'
UNH	M	1	Message header UNH++INVRPT:D:13A:UN:GAVJ10'
BGM	M	1	Beginning of message BGM+35::6:PRO++9'
DTM	M	1	Message date DTM+137:20140808:102'
SG2	R	1	Warehouse manager
NAD	M	1	Warehouse manager NAD+WH+123::91++Continental Automotive GmbH:Name2+Siemensstraße 12:Street2+Regensburg++93055+DE'
SG2	R	1	Receiver of the inventory report
NAD	M	1	Name and address NAD+GM+Identifier::92++Name1:Name2+Street1:Street2+City++12345+DE'
SG2	D	1	Ship to
NAD	M	1	Ship to's name and address NAD+ST+Identifier::92++Name1:Name2+Street1:Street2+City++12345+DE'
LOC	O	1	Place of discharge LOC+11+Abladestelle Id::92:Abladestelle'
SG9	R	9999999	Article
LIN	M	1	Line item LIN+1++123ABC:IN'
PIA	O	1	Additional product id PIA+1+ZusätzlicheProduktidentifikation:SA+ZusätzlicheProduktidentifikation:HS+ZusätzlicheProduktidentifikation:EC+ZusätzlicheProduktidentifikation:AB+ZusätzlicheProduktidentifikation:CL'
ALI	O	1	Country of origin ALI+DE'
DTM	O	1	Design revision date DTM+380::102'
DTM	O	1	Engineering change date DTM+60::102'
DTM	D	3	Production date, best before date, expiration date DTM+94:20130807:102'
SG12	D	9999	Stock movement
INV	M	1	Inventory management related details INV+1++1'
QTY	M	1	Movement quantity QTY+156:100:PCE'
QTY	O	1	Resulting calculated stock quantity QTY+145:100:PCE'
LOC	R	1	Warehouse / storage facility LOC+18+X'
DTM	D	1	Date/time/period DTM+179:20140324:102'
SG15	O	10	Delivery note number, for deliveries from the warehouse

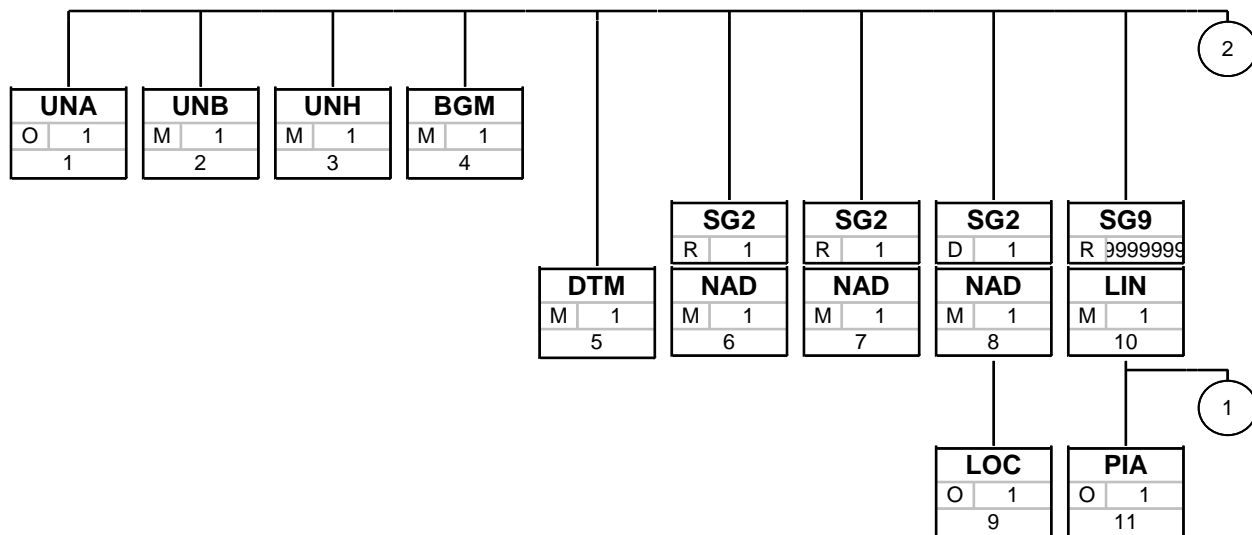
MaxOcc = Maximum occurrence of the segment/group St = Status: M=Mandatory, C=Conditional, R=Required, O=Optional, D=Dependent, A=Advised, N=Not used



Tag	St	MaxOcc	Content
RFF	M	1	Delivery note number, for deliveries from the warehouse RFF+AAU:9'
DTM	O	1	Reference document date/time DTM+171'
SG15	O	1	Goods receipt message number
RFF	M	1	Goods receipt message number RFF+ALO:9'
DTM	O	1	Reference document date/time DTM+171'
SG15	O	1	General reference for stock entry - aggregation number
RFF	M	1	General reference for stock entry - aggregation number RFF+TN:9'
DTM	O	1	Reference document date/time DTM+171'
SG15	O	1	Original delivery note number
RFF	M	1	Original delivery note number RFF+DQ:9'
DTM	O	1	Reference document date/time DTM+171'
SG15	O	10	Reference documents Order reference
RFF	M	1	Order reference RFF+ON:9'
DTM	O	1	Reference document date/time DTM+171'
SG12	D	9999	Inventory balance per individual warehouse / condition / different stocks only with PROACT, for ACS only Consi-stock
INV	R	1	Inventory management related details INV+N/A'
QTY	M	9	Current stock quantity QTY+145:4000:PCE'
QTY	O	1	Previously reported stock quantity QTY+18:X:04'
LOC	R	5	Warehouse LOC+18+X::X'
DTM	O	1	Message date of the previous message DTM+127:X:102'
UNT	M	1	Message trailer UNT+'
UNZ	M	1	Interchange trailer UNZ+1+INTERCHANGE 1'

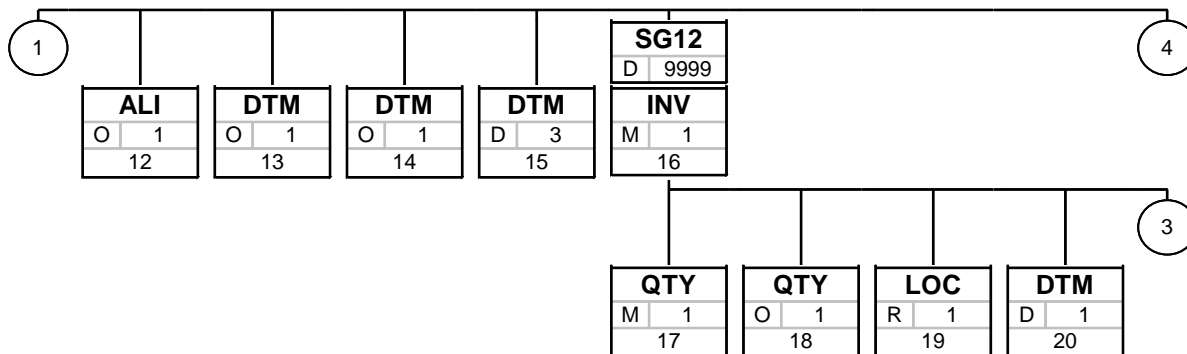
MaxOcc = Maximum occurrence of the segment/group St = Status: M=Mandatory, C=Conditional, R=Required, O=Optional, D=Dependent, A=Advised, N=Not used

Branching Diagram of Used Segments/Groups



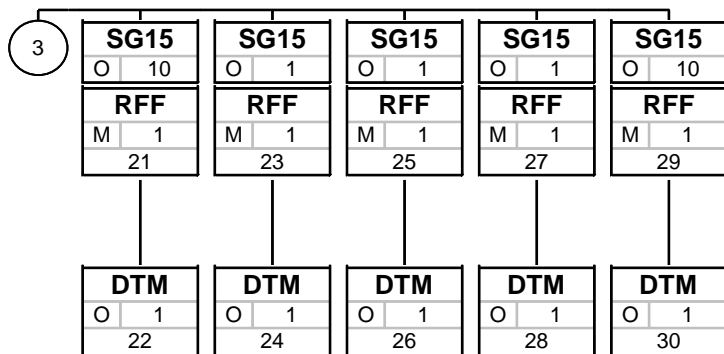
Tag
St MaxOcc
No

Tag = Segment/Group Tag
 St = Status: M=Mandatory, C=Conditional, R=Required, O=Optional, D=Dependent, A=Advised, N=Not used
 MaxOcc = Maximum occurrence of the segment/group
 No = Consecutive segment number



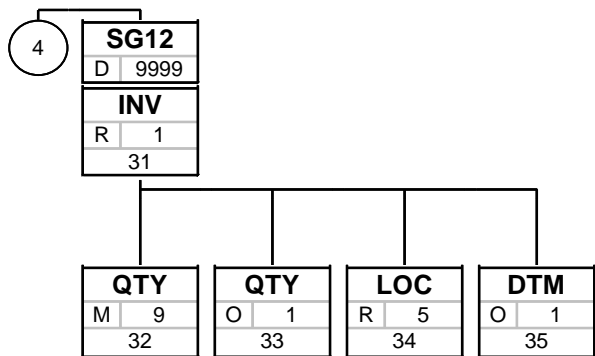
Tag
St MaxOcc
No

Tag = Segment/Group Tag
 St = Status: M=Mandatory, C=Conditional, R=Required, O=Optional, D=Dependent, A=Advised, N=Not used
 MaxOcc = Maximum occurrence of the segment/group
 No = Consecutive segment number



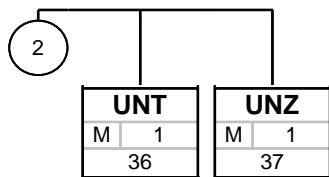
Tag
St MaxOcc
No

Tag = Segment/Group Tag
 St = Status: M=Mandatory, C=Conditional, R=Required, O=Optional, D=Dependent, A=Advised, N=Not used
 MaxOcc = Maximum occurrence of the segment/group
 No = Consecutive segment number



Tag
St MaxOcc
No

Tag = Segment/Group Tag
 St = Status: M=Mandatory, C=Conditional, R=Required, O=Optional, D=Dependent, A=Advised, N=Not used
 MaxOcc = Maximum occurrence of the segment/group
 No = Consecutive segment number



Tag
St MaxOcc
No

Tag = Segment/Group Tag
 St = Status: M=Mandatory, C=Conditional, R=Required, O=Optional, D=Dependent, A=Advised, N=Not used
 MaxOcc = Maximum occurrence of the segment/group
 No = Consecutive segment number



Tag	St	MaxOcc	
UNB	M	1	Interchange header

		EDIFACT	Conti		
Tag	Name	St Format	St	Format	Usage / Remark
S001	Syntax identifier	M	M		
0001	Syntax identifier	M a4	M	a4	UNOA UN/ECE level A UNOB UN/ECE level B UNOC UN/ECE level C UNOD UN/ECE level D 3 Version 3
0002	Syntax version number	M n1	M	n1	
S002	Interchange sender	M	M		
0004	Sender identification	M an..35	M	an..35	Unique ID of the sender in the data transmission network or system.
0007	Partner identification code qualifier	C an..4	O	an..4	
0008	Address for reverse routing	C an..14	O	an..14	Address of an application or internal system at sender's site to which reply messages should be routed.
S003	Interchange recipient	M	M		
0010	Recipient identification	M an..35	M	an..35	Unique ID of the receiver in the data transmission network or system.
0007	Partner identification code qualifier	C an..4	O	an..4	
0014	Routing address	C an..14	O	an..14	Address of an application or an internal system at receiver's side: some OEMs generate delivery calls, etc. in different ERP systems. In this case, the despatch advice received from the supplier needs to be forwarded to the respective ERP system. In principle, EDIFACT refers to the UNB segment for a return address (section completed during delivery call) and a forwarding address (to be included in the despatch advice). Criteria for system change: Customer number, plant/work and unloading location The customer must submit an allocation table so that the supplier can store and apply these rules!
S004	Date/time of preparation	M	M		
0017	Date of preparation	M n6	M	n6	Format YYMMDD
0019	Time of preparation	M n4	M	n4	Format HHMM
0020	Interchange control reference	M an..14	M	an..14	Unique ID of an interchange.
S005	Recipient's reference, password		N		
0022	Recipient's reference/password	an..14	N		Not used
0025	Recipient's reference/password qualifier	an2	N		Not used
0026	Application reference	an..14	N		Not used
0029	Processing priority code	a1	N		Not used
0031	Acknowledgement request	n1	N		Not used
0032	Communications agreement ID	an..35	N		Not used
0035	Test indicator	C n1	O	n1	1 Interchange is a test Only to be used for data interchange test purposes. Omit this element for valid interchanges

Remark:

Example: UNB+UNOC:3+OD012345:59:123+987654321:1:LAFES+071205:1446+144659+++++1'

MaxOcc = Maximum occurrence of the segment/group St = Status: M=Mandatory, C=Conditional, R=Required, O=Optional, D=Dependent, A=Advised, N=Not used



Tag	St	MaxOcc	
UNH	M	1	Message header

		EDIFACT	Conti		
Tag	Name	St Format	St	Format	Usage / Remark
0062	Message reference number	M an..14	M	an..14	Message reference number
S009	Message identifier	M	M		
0065	Message type	M an..6	M	an..6	INVRPT Inventory report message
0052	Message version number	M an..3	M	an..3	D Draft version/UN/EDIFACT Directory
0054	Message release number	M an..3	M	an..3	13A Release 2013 - A
0051	Controlling agency	M an..2	M	an..2	UN UN/CEFACT
0057	Association assigned code	C an..6	R	an..6	
0068	Common access reference	an..35	N		Not used
S010	Status of the transfer		N		
0070	Sequence of transfers	n..2	N		Not used
0073	First and last transfer	a1	N		Not used

Remark:

Example: UNH++INVRPT:D:13A:UN:GAVJ10'

MaxOcc = Maximum occurrence of the segment/group St = Status: M=Mandatory, C=Conditional, R=Required, O=Optional, D=Dependent, A=Advised, N=Not used



Tag	St	MaxOcc	
BGM	M	1	Beginning of message

		EDIFACT	Conti		
Tag	Name	St Format	St	Format	Usage / Remark
C002	Document/message name	C	R		
1001	Document name code	C an..3	R	an..3	35 - Stock report, based on the calculated stocks 78 - Stock movement detection (additions, disposals and internal transfers) 35 Inventory report 78 Inventory movement advice
1131	Code list identification code	an..17	N		- Not used
3055	Code list responsible agency code	C an..3	O	an..3	6 UN/ECE (United Nations - Economic Commission for Europe) 272 Joint Automotive Industry agency
1000	Process description, only for PROACT	C an..35	O	an..35	Process description, only for PROACT
C106	Document/message identification	C	R		
1004	Document identifier	C an..17	R	an..17	Message number of the inventory report or movement advice
1056	Version identifier	an..9	N		Not used
1060	Revision identifier	an..6	N		Not used
1225	Message function code	C an..3	O	an..3	9 Original
4343	Response type code	an..3	N		Not used
1373	Document status code	an..3	N		Not used

Remark:

Example: BGM+35::6:PRO++9'

MaxOcc = Maximum occurrence of the segment/group St = Status: M=Mandatory, C=Conditional, R=Required, O=Optional, D=Dependent, A=Advised, N=Not used

Tag	St	MaxOcc
-----	----	--------

DTM M 1 Message date

Message date

EDIFACT			Conti		
Tag	Name	St Format	St	Format	Usage / Remark
C507	Date/time/period	M	M		
2005	Date or time or period function code qualifier	M an..3	M	an..3	137 Document issue date time
2380	Date or time or period text	C an..14	R	an..14	
2379	Date or time or period format code	C an..3	R	an..3	102 CCYYMMDD 203 CCYYMMDDHHMM

Remark:
Message date is equal / synonymous to date / time of the inventory report.

Example: DTM+137:20140808:102'



Tag	St	MaxOcc	
SG2	R	1	Warehouse manager
Warehouse manager			
NAD	M	1	Warehouse manager
Warehouse manager			

EDIFACT			Conti		
Tag	Name	St Format	St	Format	Usage / Remark
3035	Party function code qualifier	M an..3	M	an..3	WH Warehouse keeper
C082	Party identification details	C	R		
3039	Party identifier	M an..20	R	an..20	Unique identifier of business partner (customer number, supplier number, DUNS number, etc.).
1131	Code list identification code	an..17	N		Not used
3055	Code list responsible agency code	C an..3	R	an..3	Code specifying the agency responsible for a code list. 91 Assigned by seller or seller's agent
C058	Name and address		N		
3124	Name and address description	M an..35	M	an..35	
3124	Name and address description	an..35	N		Not used
3124	Name and address description	an..35	N		Not used
3124	Name and address description	an..35	N		Not used
3124	Name and address description	an..35	N		Not used
C080	Party name	C	O		
3036	Party name	M an..35	M	an..35	Single text line for party name
3036	Party name	C an..35	O	an..35	see 3036 # 1
3036	Party name	an..70	N		Not used
3036	Party name	an..70	N		Not used
3036	Party name	an..70	N		Not used
3045	Party name format code	an..3	N		Not used
C059	Street	C	O		
3042	Street and number or post office box identifier	M an..35	M	an..35	Part of address identifying the location of a building, normally given together with street
3042	Street and number or post office box identifier	C an..35	O	an..35	see 3042 # 1
3042	Street and number or post office box identifier	an..35	N		Not used
3042	Street and number or post office box identifier	an..35	N		Not used
3164	City name	C an..35	O	an..35	The name of the city, town, or village of this address.
C819	Country subdivision details		N		
3229	Country subdivision identifier	C an..9	C	an..9	
1131	Code list identification code	an..17	N		Not used
3055	Code list responsible agency code	an..3	N		Not used
3228	Country subdivision name	an..70	N		Not used
3251	Postal identification code	C an..17	O	an..17	Identifier of one or more address data properties according to the postal service of the respective country
3207	Country identifier	C a2	O	a2	Provides the country part of an address using a code. Use ISO3166 two alpha code.

Remark:

Example: NAD+WH+123::91++Continental Automotive GmbH:Name2+Siemensstraße 12:Street2+Regensburg++93055+DE'

MaxOcc = Maximum occurrence of the segment/group St = Status: M=Mandatory, C=Conditional, R=Required, O=Optional, D=Dependent, A=Advised, N=Not used

Tag	St	MaxOcc
-----	----	--------

SG2 R 1 Receiver of the inventory report
Receiver of the inventory report

NAD M 1 Name and address

EDIFACT			Conti		
Tag	Name	St Format	St	Format	Usage / Remark
3035	Party function code qualifier	M an..3	M	an..3	GM Inventory controller
C082	Party identification details	C	R		
3039	Party identifier	M an..20	R	an..20	Unique identifier of business partner (customer number, supplier number, DUNS number, etc.).
1131	Code list identification code	an..17	N		Not used
3055	Code list responsible agency code	C an..3	R	an..3	Code specifying the agency responsible for a code list. 92 Assigned by buyer or buyer's agent
C058	Name and address		N		
3124	Name and address description	M an..35	M	an..35	
3124	Name and address description	an..35	N		Not used
3124	Name and address description	an..35	N		Not used
3124	Name and address description	an..35	N		Not used
3124	Name and address description	an..35	N		Not used
C080	Party name	C	O		
3036	Party name	M an..35	M	an..35	Single text line for party name
3036	Party name	C an..35	O	an..35	see 3036 # 1
3036	Party name	an..70	N		Not used
3036	Party name	an..70	N		Not used
3036	Party name	an..70	N		Not used
3045	Party name format code	an..3	N		Not used
C059	Street	C	O		
3042	Street and number or post office box identifier	M an..35	M	an..35	Part of address identifying the location of a building, normally given together with street
3042	Street and number or post office box identifier	C an..35	O	an..35	see 3042 # 1
3042	Street and number or post office box identifier	an..35	N		Not used
3042	Street and number or post office box identifier	an..35	N		Not used
3164	City name	C an..35	O	an..35	The name of the city, town, or village of this address.
C819	Country subdivision details		N		
3229	Country subdivision identifier	C an..9	C	an..9	
1131	Code list identification code	an..17	N		Not used
3055	Code list responsible agency code	an..3	N		Not used
3228	Country subdivision name	an..70	N		Not used
3251	Postal identification code	C an..17	O	an..17	Identifier of one or more address data properties according to the postal service of the respective country
3207	Country identifier	C a2	O	a2	Provides the country part of an address using a code. Use ISO3166 two alpha code.

Remark:

Example: NAD+GM+Identifier::92++Name1:Name2+Street1:Street2+City++12345+DE'

MaxOcc = Maximum occurrence of the segment/group St = Status: M=Mandatory, C=Conditional, R=Required, O=Optional, D=Dependent, A=Advised, N=Not used



Tag	St	MaxOcc
-----	----	--------

SG2 D 1 **Ship to**
 Ship to

NAD M 1 **Ship to's name and address**
 Ship to's name and address

EDIFACT			Conti		
Tag	Name	St Format	St	Format	Usage / Remark
3035	Party function code qualifier	M an..3	M	an..3	ST Ship to
C082	Party identification details	C	R		
3039	Party identifier	M an..20	R	an..20	Unique identifier of business partner (customer number, supplier number, DUNS number, etc.).
1131	Code list identification code	an..17	N		Not used
3055	Code list responsible agency code	C an..3	R	an..3	Code specifying the agency responsible for a code list. 92 Assigned by buyer or buyer's agent
C058	Name and address		N		
3124	Name and address description	M an..35	M	an..35	
3124	Name and address description	an..35	N		Not used
3124	Name and address description	an..35	N		Not used
3124	Name and address description	an..35	N		Not used
3124	Name and address description	an..35	N		Not used
C080	Party name	C	O		
3036	Party name	M an..35	M	an..35	Single text line for specification of a name
3036	Party name	C an..35	O	an..35	Single text line for specification of a name
3036	Party name	an..70	N		Not used
3036	Party name	an..70	N		Not used
3036	Party name	an..70	N		Not used
3045	Party name format code	an..3	N		Not used
C059	Street	C	O		
3042	Street and number or post office box identifier	M an..35	M	an..35	Part of address identifying the location of a building, normally given together with street
3042	Street and number or post office box identifier	C an..35	O	an..35	
3042	Street and number or post office box identifier	an..35	N		Not used
3042	Street and number or post office box identifier	an..35	N		Not used
3164	City name	C an..35	O	an..35	The name of the city, town, or village of this address.
C819	Country subdivision details		N		
3229	Country subdivision identifier	C an..9	C	an..9	
1131	Code list identification code	an..17	N		Not used
3055	Code list responsible agency code	an..3	N		Not used
3228	Country subdivision name	an..70	N		Not used
3251	Postal identification code	C an..17	O	an..17	Identifier of one or more address data properties according to the postal service of the respective country
3207	Country identifier	C a2	O	a2	Provides the country part of an address using a code. Use ISO3166 two alpha code. The codes of this codelist are documented in a separate document

Remark:

Example: NAD+ST+Identifier::92++Name1:Name2+Street1:Street2+City++12345+DE'

MaxOcc = Maximum occurrence of the segment/group St = Status: M=Mandatory, C=Conditional, R=Required, O=Optional, D=Dependent, A=Advised, N=Not used



Tag	St	MaxOcc
-----	----	--------

SG2 D 1 **Ship to**
Ship to

LOC O 1 **Place of discharge**
Place of discharge

EDIFACT			Conti		
Tag	Name	St Format	St	Format	Usage / Remark
3227	Location function code qualifier	M an..3	M	an..3	11 Place of discharge
C517	Location identification	C	R		
3225	Location identifier	C an..35	R	an..35	Identifier of location, site, etc.
1131	Code list identification code	an..17	N		Not used
3055	Code list responsible agency code	C an..3	O	an..3	Code specifying the agency responsible for a code list. 92 Assigned by buyer or buyer's agent
3224	Location name	C an..256	O	an..256	Name of place/location; if necessary, use complete address.
C519	Related location one identification		N		
3223	First related location identifier	an..35	N		Not used
1131	Code list identification code	an..17	N		Not used
3055	Code list responsible agency code	an..3	N		Not used
3222	First related location name	an..70	N		Not used
C553	Related location two identification		N		
3233	Second related location identifier	an..35	N		Not used
1131	Code list identification code	an..17	N		Not used
3055	Code list responsible agency code	an..3	N		Not used
3232	Second related location name	an..70	N		Not used
5479	Relation code	an..3	N		Not used

Remark:
 Location where goods are unloaded from transport vehicle.

Example: LOC+11+Abladestelle Id::92:Abladestelle'

MaxOcc = Maximum occurrence of the segment/group St = Status: M=Mandatory, C=Conditional, R=Required, O=Optional, D=Dependent, A=Advised, N=Not used



Tag	St	MaxOcc
-----	----	--------

SG9 R 9999999 **Article**
Article

LIN M 1 **Line item**

EDIFACT			Conti		
Tag	Name	St Format	St	Format	Usage / Remark
1082	Line item identifier	C n..6	O	n..6	Line number
1229	Action code	an..3	N		- Not used
C212	Item number identification	C	R		
7140	Item identifier	C an..35	R	an..35	Article Number
7143	Item type identification code	C an..3	R	an..3	IN Buyer's item number
1131	Code list identification code	an..17	N		Not used
3055	Code list responsible agency code	an..3	N		Not used
C829	Sub-line information		N		
5495	Sub-line indicator code	an..3	N		Not used
1082	Line item identifier	an..6	N		Not used
1222	Configuration level number	n..2	N		Not used
7083	Configuration operation code	an..3	N		Not used

Remark:

Example: LIN+1++123ABC:IN'

MaxOcc = Maximum occurrence of the segment/group St = Status: M=Mandatory, C=Conditional, R=Required, O=Optional, D=Dependent, A=Advised, N=Not used



Tag	St	MaxOcc
-----	----	--------

SG9 R 9999999 **Article**
Article

PIA O 1 **Additional product id**

EDIFACT			Conti		
Tag	Name	St Format	St	Format	Usage / Remark
4347	Product identifier code qualifier	M an..3	M	an..3	1 Additional identification
C212	Item number identification	M	M		
7140	Item identifier	C an..35	R	an..35	ID number
7143	Item type identification code	C an..3	R	an..3	EC - Änderungsstand (Konstruktionsänderungsstand) DR - Teilegenerationsstand (ändert sich mit dem Werkzeug, das zur Herstellung des Teils verwendet wurde) AG - Softwarestand AB - Versorgungsgruppe bei BMW - Teilmenge der Abrufgruppe BT - Hardwarestand EC - Engineering change status DR - Parts generation status (changes with the tool used in the production of the part) AG - Software status AB - Supply group at BMW - subset of the call off group BT - Hardware status SA Supplier's article number EC Engineering change level AG Software revision number DR Drawing revision number AB Assembly EN International Article Numbering Association (EAN) MN Model number CL Colour number UA Ultimate customer's article number RY Record keeping of model year HS Harmonised system BT Technical phase NB Batch number
1131	Code list identification code	an..17	N		Not used
3055	Code list responsible agency code	an..3	N		Not used
C212	Drawing/design revision number	C	O		
7140	Item identifier	C an..35	R	an..35	ID Nummer ID number
7143	Item type identification code	C an..3	R	an..3	Codes siehe C212#1/DE 7143 For codes, see C212#1/DE 7143
1131	Code list identification code	an..17	N		Not used
3055	Code list responsible agency code	an..3	N		Not used
C212	Engineering Change Number	C	O		
7140	Item identifier	C an..35	R	an..35	ID Nummer ID number
7143	Item type identification code	C an..3	R	an..3	Codes siehe C212#1/DE 7143 For codes, see C212#1/DE 7143
1131	Code list identification code	an..17	N		Not used
3055	Code list responsible agency code	an..3	N		Not used

MaxOcc = Maximum occurrence of the segment/group St = Status: M=Mandatory, C=Conditional, R=Required, O=Optional, D=Dependent, A=Advised, N=Not used

		EDIFACT	Conti		
Tag	Name	St Format	St	Format	Usage / Remark
C212	General specification number	C	O		
7140	Item identifier	C an..35	R	an..35	ID Nummer ID number
7143	Item type identification code	C an..3	R	an..3	Codes siehe C212#1/DE 7143 For codes, see C212#1/DE 7143
1131	Code list identification code	an..17	N		Not used
3055	Code list responsible agency code	an..3	N		Not used
C212	Colour number	C	O		
7140	Item identifier	C an..35	R	an..35	ID Nummer ID number
7143	Item type identification code	C an..3	R	an..3	Codes siehe C212#1/DE 7143 For codes, see C212#1/DE 7143
1131	Code list identification code	an..17	N		Not used
3055	Code list responsible agency code	an..3	N		Not used

Remark:

The sequence of the individual IDs in C212 is free. The first C212 must however be filled. The remaining C212 are optional.

Example:

PIA+1+ZusätzlicheProduktidentifikation:SA+ZusätzlicheProduktidentifikation:HS+ZusätzlicheProduktidentifikation:EC+ZusätzlicheProduktidentifikation:AB+ZusätzlicheProduktidentifikation:CL'



Tag	St	MaxOcc
-----	----	--------

SG9 R 9999999 **Article**
Article

ALI O 1 **Country of origin**
Country of origin

EDIFACT			Conti		
Tag	Name	St Format	St	Format	Usage / Remark
3239	Country of origin identifier	C a2	R	a2	Country Of Origin Coded
9213	Duty regime type code	an..3	N		Not used
4183	Special condition code	an..3	N		Not used
4183	Special condition code	an..3	N		Not used
4183	Special condition code	an..3	N		Not used
4183	Special condition code	an..3	N		Not used
4183	Special condition code	an..3	N		Not used

Remark:

Example: ALI+DE'

MaxOcc = Maximum occurrence of the segment/group St = Status: M=Mandatory, C=Conditional, R=Required, O=Optional, D=Dependent, A=Advised, N=Not used



Tag	St	MaxOcc
-----	----	--------

SG9 R 9999999 **Article**
Article

DTM O 1 **Design revision date**
Design revision date

EDIFACT			Conti		
Tag	Name	St Format	St	Format	Usage / Remark
C507	Date/time/period	M	M		
2005	Date or time or period function code qualifier	M an..3	M	an..3	User defined
2380	Date or time or period text	C an..14	R	an..14	380 Drawing revision date
2379	Date or time or period format code	C an..3	R	an..3	Design Revision Date 102 CCYYMMDD

Remark:

Example: DTM+380:::102'

MaxOcc = Maximum occurrence of the segment/group St = Status: M=Mandatory, C=Conditional, R=Required, O=Optional, D=Dependent, A=Advised, N=Not used

Tag	St	MaxOcc
-----	----	--------

SG9 R 9999999 **Article**
Article

DTM O 1 **Engineering change date**
Engineering change date

EDIFACT			Conti		
Tag	Name	St Format	St	Format	Usage / Remark
C507	Date/time/period	M	M		
2005	Date or time or period function code qualifier	M an..3	M	an..3	60 Engineering change level date
2380	Date or time or period text	C an..14	R	an..14	Engineering Change Date
2379	Date or time or period format code	C an..3	R	an..3	102 CCYYMMDD

Remark:

Example: DTM+60::102'

MaxOcc = Maximum occurrence of the segment/group St = Status: M=Mandatory, C=Conditional, R=Required, O=Optional, D=Dependent, A=Advised, N=Not used



Tag	St	MaxOcc
-----	----	--------

SG9 R 9999999 **Article**
Article

DTM D 3 **Production date, best before date, expiration date**
Production date, best before date, expiration date

EDIFACT			Conti		
Tag	Name	St Format	St	Format	Usage / Remark
C507	Date/time/period	M	M		
2005	Date or time or period function code qualifier	M an..3	M	an..3	94 Production/manufacture date 36 Expiry date 361 Product best before date time
2380	Date or time or period text	C n..12	R	n..12	Date according to qualifier in DE 2005
2379	Date or time or period format code	C an..3	O	an..3	102 CCYYMMDD

Remark:

Example: DTM+94:20130807:102'

MaxOcc = Maximum occurrence of the segment/group St = Status: M=Mandatory, C=Conditional, R=Required, O=Optional, D=Dependent, A=Advised, N=Not used



Tag	St	MaxOcc	
-----	----	--------	--

SG12 D 9999 **Stock movement**
Stock movement

INV M 1 **Inventory management related details**

EDIFACT			Conti		
Tag	Name	St Format	St	Format	Usage / Remark
4501	Inventory movement direction code	C an..3	R	an..3	1 Movement out of inventory 2 Movement into inventory
7491	Inventory type code	an..3	N		Not used
4499	Inventory movement reason code	C an..3	R	an..3	1 Reception 2 Delivery 3 Scrapped parts 4 Difference 5 Property transfer within warehouse 6 Inventory recycling 7 Reversal of previous movement 11 Consumption
4503	Inventory balance method code	an..3	N		Not used
C522	Instruction		N		
4403	Instruction type code qualifier	an..3	N		Not used
4401	Instruction description code	an..3	N		Not used
1131	Code list identification code	an..17	N		Not used
3055	Code list responsible agency code	an..3	N		Not used
4400	Instruction description	an..35	N		Not used

Remark:

In a INVRPT message one can transmit either only movement data (this SG 12) or only Stock balance data (next SG 12).

Example: INV+1++1'

MaxOcc = Maximum occurrence of the segment/group St = Status: M=Mandatory, C=Conditional, R=Required, O=Optional, D=Dependent, A=Advised, N=Not used



Tag	St	MaxOcc
-----	----	--------

SG12 D 9999 **Stock movement**
Stock movement

QTY M 1 **Movement quantity**
Movement quantity

EDIFACT			Conti		
Tag	Name	St Format	St	Format	Usage / Remark
C186	Quantity details	M	M		
6063	Quantity type code qualifier	M an..3	M	an..3	156 Bestandsbewegungsmenge
6060	Quantity	M an..35	M	an..35	
6411	Measurement unit code	C an..3	O	an..3	Code specifying the unit of measurement, use UN/ECE Rec. 20 C62 one PCE SET set MTR metre CMT centimetre MMT millimetre MTK square metre LEF leaf MTQ cubic metre LTR litre PR pair RO TNE tonne (metric ton) KGM kilogram GRM gram KMT kilometre PCE and C62 are anonymous for piece

Remark:

Example: QTY+156:100:PCE'



Tag	St	MaxOcc
-----	----	--------

SG12 D 9999 **Stock movement**
Stock movement

QTY O 1 **Resulting calculated stock quantity**
Resulting calculated stock quantity

EDIFACT			Conti		
Tag	Name	St Format	St	Format	Usage / Remark
C186	Quantity details	M	M		
6063	Quantity type code qualifier	M an..3	M	an..3	145 Aktueller Lagerbestand
6060	Quantity	M an..35	M	an..35	
6411	Measurement unit code	C an..3	O	an..3	Maßeinheit, codiert gem. UN/ECE Rec. 20 C62 one PCE SET set MTR metre CMT centimetre MMT millimetre MTK square metre LEF leaf MTQ cubic metre LTR litre PR pair RO TNE tonne (metric ton) KGM kilogram GRM gram KMT kilometre PCE and C62 are anonymous for piece

Remark:

Example: QTY+145:100:PCE'

MaxOcc = Maximum occurrence of the segment/group St = Status: M=Mandatory, C=Conditional, R=Required, O=Optional, D=Dependent, A=Advised, N=Not used



Tag	St	MaxOcc	
-----	----	--------	--

SG12 D 9999 **Stock movement**
Stock movement

LOC R 1 **Warehouse / storage facility**
Warehouse / storage facility

EDIFACT			Conti		
Tag	Name	St Format	St	Format	Usage / Remark
3227	Location function code qualifier	M an..3	M	an..3	18 Warehouse
C517	Location identification	C	R		
3225	Location identifier	C an..35	R	an..35	ID of the warehouse / storage facility. This may be a logical or virtual storage facility as well. Qualifier 152 will be sent for the complete Consi-stock
1131	Code list identification code	an..17	N		Not used
3055	Code list responsible agency code	an..3	N		Not used
3224	Location name	an..256	N		Not used
C519	Related location one identification		N		
3223	First related location identifier	an..35	N		Not used
1131	Code list identification code	an..17	N		Not used
3055	Code list responsible agency code	an..3	N		Not used
3222	First related location name	an..70	N		Not used
C553	Related location two identification		N		
3233	Second related location identifier	an..35	N		Not used
1131	Code list identification code	an..17	N		Not used
3055	Code list responsible agency code	an..3	N		Not used
3232	Second related location name	an..70	N		Not used
5479	Relation code	an..3	N		Not used

Remark:

Example: LOC+18+X'

MaxOcc = Maximum occurrence of the segment/group St = Status: M=Mandatory, C=Conditional, R=Required, O=Optional, D=Dependent, A=Advised, N=Not used



Tag	St	MaxOcc	
-----	----	--------	--

SG12 D 9999 **Stock movement**
Stock movement

DTM D 1 **Date/time/period**

EDIFACT			Conti		
Tag	Name	St Format	St	Format	Usage / Remark
C507	Date/time/period	M	M		
2005	Date or time or period function code qualifier	M an..3	M	an..3	179 Buchungsdatum/-zeit
2380	Date or time or period text	C n..12	R	n..12	Date / time of the stock movement respectively the booking.
2379	Date or time or period format code	C an..3	R	an..3	102 CCYYMMDD

Remark:
 Date / time of the stock movement, if different from message date.

Example: DTM+179:20140324:102'

MaxOcc = Maximum occurrence of the segment/group St = Status: M=Mandatory, C=Conditional, R=Required, O=Optional, D=Dependent, A=Advised, N=Not used



Tag	St	MaxOcc
-----	----	--------

SG15 O 10 Delivery note number, for deliveries from the warehouse
 Delivery note number, for deliveries from the warehouse

RFF M 1 Delivery note number, for deliveries from the warehouse
 Delivery note number, for deliveries from the warehouse

EDIFACT			Conti		
Tag	Name	St Format	St	Format	Usage / Remark
C506	Reference	M	M		
1153	Reference code qualifier	M an..3	M	an..3	Document Type Coded AAU Despatch note document identifier
1154	Delivery note number, for deliveries from the warehouse (if generated)	C an..17	R	an..17	Document Number Delivery note number, for deliveries from the warehouse (if generated)
1156	Document line identifier	an..6	N		Not used
1056	Version identifier	an..9	N		Not used
1060	Revision identifier	an..6	N		Not used

Remark:

Example: RFF+AAU:9'

MaxOcc = Maximum occurrence of the segment/group St = Status: M=Mandatory, C=Conditional, R=Required, O=Optional, D=Dependent, A=Advised, N=Not used



Tag	St	MaxOcc
-----	----	--------

SG15 O 10 **Delivery note number, for deliveries from the warehouse**
Delivery note number, for deliveries from the warehouse

DTM O 1 **Reference document date/time**
Reference document date/time

EDIFACT			Conti		
Tag	Name	St Format	St	Format	Usage / Remark
C507	Date/time/period	M	M		
2005	Date or time or period function code qualifier	M an..3	M	an..3	171 Reference date/time
2380	Date or time or period text	C an..14	R	an..14	Document Date/Time
2379	Date or time or period format code	C an..3	R	an..3	102 CCYYMMDD 203 CCYYMMDDHHMM

Remark:

Example: DTM+171'

MaxOcc = Maximum occurrence of the segment/group St = Status: M=Mandatory, C=Conditional, R=Required, O=Optional, D=Dependent, A=Advised, N=Not used



Tag	St	MaxOcc
-----	----	--------

SG15 O 1 Goods receipt message number
 Goods receipt message number

RFF M 1 Goods receipt message number
 Goods receipt message number

EDIFACT			Conti		
Tag	Name	St Format	St	Format	Usage / Remark
C506	Reference	M	M		
1153	Reference code qualifier	M an..3	M	an..3	Document Type Coded ALO Receiving advice number
1154	Goods receipt message number	C an..17	R	an..17	Document Number Goods receipt message number
1156	Document line identifier	an..6	N		Not used
1056	Version identifier	an..9	N		Not used
1060	Revision identifier	an..6	N		Not used

Remark:

Example: RFF+ALO:9'

MaxOcc = Maximum occurrence of the segment/group St = Status: M=Mandatory, C=Conditional, R=Required, O=Optional, D=Dependent, A=Advised, N=Not used

Tag	St	MaxOcc
-----	----	--------

SG15 O 1 Goods receipt message number
Goods receipt message number

DTM O 1 Reference document date/time
Reference document date/time

EDIFACT			Conti		
Tag	Name	St Format	St	Format	Usage / Remark
C507	Date/time/period	M	M		
2005	Date or time or period function code qualifier	M an..3	M	an..3	171 Reference date/time
2380	Date or time or period text	C an..14	R	an..14	Document Date/Time
2379	Date or time or period format code	C an..3	R	an..3	102 CCYYMMDD 203 CCYYMMDDHHMM

Remark:

Example: DTM+171'

MaxOcc = Maximum occurrence of the segment/group St = Status: M=Mandatory, C=Conditional, R=Required, O=Optional, D=Dependent, A=Advised, N=Not used



Tag	St	MaxOcc
-----	----	--------

SG15 O 1 General reference for stock entry - aggregation number
 General reference for stock entry - aggregation number

RFF M 1 General reference for stock entry - aggregation number
 General reference for stock entry - aggregation number

EDIFACT			Conti		
Tag	Name	St Format	St	Format	Usage / Remark
C506	Reference	M	M		
1153	Reference code qualifier	M an..3	M	an..3	Document Type Coded TN Transaction reference number
1154	General reference for stock entry - aggregation number	C an..17	R	an..17	Document Number General reference for stock entry - aggregation number
1156	Document line identifier	an..6	N		Not used
1056	Version identifier	an..9	N		Not used
1060	Revision identifier	an..6	N		Not used

Remark:

Example: RFF+TN: 9'

MaxOcc = Maximum occurrence of the segment/group St = Status: M=Mandatory, C=Conditional, R=Required, O=Optional, D=Dependent, A=Advised, N=Not used

Tag	St	MaxOcc
-----	----	--------

SG15 O 1 **General reference for stock entry - aggregation number**
General reference for stock entry - aggregation number

DTM O 1 **Reference document date/time**
Reference document date/time

EDIFACT			Conti		
Tag	Name	St Format	St	Format	Usage / Remark
C507	Date/time/period	M	M		
2005	Date or time or period function code qualifier	M an..3	M	an..3	171 Reference date/time
2380	Date or time or period text	C an..14	R	an..14	Document Date/Time
2379	Date or time or period format code	C an..3	R	an..3	102 CCYYMMDD

Remark:

Example: DTM+171'



Tag	St	MaxOcc
-----	----	--------

SG15 O 1 Original delivery note number
Original delivery note number

RFF M 1 Original delivery note number
Original delivery note number

EDIFACT			Conti		
Tag	Name	St Format	St	Format	Usage / Remark
C506	Reference	M	M		
1153	Reference code qualifier	M an..3	M	an..3	Document Type Coded DQ Delivery note number
1154	Original delivery note number Number of the delivery to the warehouse (for message for movements out of inventory that is generated parallel to a DESADV)	C an..17	R	an..17	Document Number Original delivery note number Number of the delivery to the warehouse (for message for movements out of inventory that is generated parallel to a DESADV)
1156	Document line identifier	an..6	N		Not used
1056	Version identifier	an..9	N		Not used
1060	Revision identifier	an..6	N		Not used

Remark:

Example: RFF+DQ:9'

MaxOcc = Maximum occurrence of the segment/group St = Status: M=Mandatory, C=Conditional, R=Required, O=Optional, D=Dependent, A=Advised, N=Not used

Tag	St	MaxOcc
-----	----	--------

SG15 O 1 **Original delivery note number**
Original delivery note number

DTM O 1 **Reference document date/time**
Reference document date/time

EDIFACT			Conti		
Tag	Name	St Format	St	Format	Usage / Remark
C507	Date/time/period	M	M		
2005	Date or time or period function code qualifier	M an..3	M	an..3	171 Reference date/time
2380	Date or time or period text	C an..14	R	an..14	Document Date/Time
2379	Date or time or period format code	C an..3	R	an..3	102 CCYYMMDD 203 CCYYMMDDHHMM

Remark:

Example: DTM+171'

MaxOcc = Maximum occurrence of the segment/group St = Status: M=Mandatory, C=Conditional, R=Required, O=Optional, D=Dependent, A=Advised, N=Not used

Tag	St	MaxOcc
-----	----	--------

SG15 O 10 Reference documents
Order reference

Reference documents
Order reference

RFF M 1 Order reference

Order reference

EDIFACT			Conti		
Tag	Name	St Format	St	Format	Usage / Remark
C506	Reference	M	M		
1153	Reference code qualifier	M an..3	M	an..3	Document Type Coded ON Order document identifier, buyer assigned
1154	Order reference	C an..17	R	an..17	Document Number Order reference
1156	Document line identifier	an..6	N		Not used
1056	Version identifier	an..9	N		Not used
1060	Revision identifier	an..6	N		Not used

Remark:

Example: RFF+ON:9'

Tag	St	MaxOcc
-----	----	--------

SG15 O 10 **Reference documents**
Order reference

Reference documents
Order reference

DTM O 1 **Reference document date/time**

Reference document date/time

EDIFACT			Conti		
Tag	Name	St Format	St	Format	Usage / Remark
C507	Date/time/period	M	M		
2005	Date or time or period function code qualifier	M an..3	M	an..3	171 Reference date/time
2380	Date or time or period text	C an..14	R	an..14	Document Date/Time
2379	Date or time or period format code	C an..3	R	an..3	102 CCYYMMDD

Remark:

Example: DTM+171'



Tag	St	MaxOcc
-----	----	--------

SG12 D 9999 **Inventory balance per individual warehouse / condition / different stocks only with PROACT, for ACS only Consi-stock**
Inventory balance per individual warehouse / condition / different stocks only with PROACT, for ACS only Consi-stock

INV R 1 **Inventory management related details**

EDIFACT			Conti		Usage / Remark
Tag	Name	St Format	St	Format	
4501	Inventory movement direction code	C an..3	R	an..3	Constant N/A as a place holder, no function: EDIFACT requires at least one data element in a segment.
7491	Inventory type code	an..3	N		Not used
4499	Inventory movement reason code	an..3	N		Not used
4503	Inventory balance method code	an..3	N		Not used
C522	Instruction		N		
4403	Instruction type code qualifier	an..3	N		Not used
4401	Instruction description code	an..3	N		Not used
1131	Code list identification code	an..17	N		Not used
3055	Code list responsible agency code	an..3	N		Not used
4400	Instruction description	an..35	N		Not used

Remark:

In a INVRPT message one can transmit either only movement data (this SG 12) or only Stock balance data (next SG 12).

Trigger for a new INV segments are:

- Condition (available, reserved, QA ...)
- Storage facility / warehouse (logical or physical)

Example: INV+N/A'



Tag	St	MaxOcc
-----	----	--------

SG12 D 9999 **Inventory balance per individual warehouse / condition / different stocks only with PROACT, for ACS only Consi-stock**
 Inventory balance per individual warehouse / condition / different stocks only with PROACT, for ACS only Consi-stock

QTY M 9 **Current stock quantity**
 Current stock quantity

EDIFACT			Conti		Usage / Remark
Tag	Name	St Format	St	Format	
C186	Quantity details	M	M		
6063	Quantity type code qualifier	M an..3	M	an..3	145 - Endbestand 145 Actual stock
6060	Quantity	M an..35	M	an..35	Stock quantity in this inventory
6411	Measurement unit code	C an..3	O	an..3	Quantity (to be) Despatched Measure Unit Specifier Code specifying the unit of measurement, use UN/ECE Rec. 20 Maßeinheit, codiert gem. UN/ECE Rec. 20 C62 one PCE SET set MTR metre CMT centimetre MMT millimetre MTK square metre LEF leaf MTQ cubic metre LTR litre PR pair RO TNE tonne (metric ton) KGM kilogram GRM gram KMT kilometre PCE und C62 sind Synonym für Stück. PCE and C62 are ynonymous for piece

Remark:

Example: QTY+145:4000:PCE'

MaxOcc = Maximum occurrence of the segment/group St = Status: M=Mandatory, C=Conditional, R=Required, O=Optional, D=Dependent, A=Advised, N=Not used



Tag	St	MaxOcc
-----	----	--------

SG12 D 9999 **Inventory balance per individual warehouse / condition / different stocks only with PROACT, for ACS only Consi-stock**
 Inventory balance per individual warehouse / condition / different stocks only with PROACT, for ACS only Consi-stock

QTY O 1 **Previously reported stock quantity**
 Previously reported stock quantity

EDIFACT			Conti		Usage / Remark
Tag	Name	St Format	St	Format	
C186	Quantity details	M	M		
6063	Quantity type code qualifier	M an..3	M	an..3	18 Previous quantity
6060	Quantity	M an..35	M	an..35	
6411	Measurement unit code	C an..3	O	an..3	Quantity (to be) Despatched Measure Unit Specifier Code specifying the unit of measurement, use UN/ECE Rec. 20 Maßeinheit, codiert gem. UN/ECE Rec. 20 C62 one PCE SET set MTR metre CMT centimetre MMT millimetre MTK square metre LEF leaf MTQ cubic metre LTR litre PR pair RO TNE tonne (metric ton) KGM kilogram GRM gram KMT kilometre PCE und C62 sind Synonym für Stück. PCE and C62 are ynonymous for piece

Remark:

Example: QTY+18:X:04'

MaxOcc = Maximum occurrence of the segment/group St = Status: M=Mandatory, C=Conditional, R=Required, O=Optional, D=Dependent, A=Advised, N=Not used



Tag	St	MaxOcc
-----	----	--------

SG12 D 9999 **Inventory balance per individual warehouse / condition / different stocks only with PROACT, for ACS only Consi-stock**
Inventory balance per individual warehouse / condition / different stocks only with PROACT, for ACS only Consi-stock

LOC R 5 **Warehouse**
Warehouse

EDIFACT			Conti			Usage / Remark
Tag	Name	St Format	St	Format		
3227	Location function code qualifier	M an..3	M	an..3		18 Warehouse
C517	Location identification	C	R			
3225	Location identifier	C an..35	R	an..35		ID of the warehouse / storage facility. This may be a logical or virtual storage facility as well. 17 Freier Eigenbestand/Quantity on hand - own 89 Eigener Bestand in Qualitätssicherung/Quality control held - own 20 Eigener gesperrter Bestand/blocked Quantity - own Z17 Freier Konsi-Bestand/Quantity on hand - consi (former 152) Z89 Konsi-Bestand in Qualitätssicherung/Quality control held - consi Z20 Gesperrter Konsi-Bestand/blocked Quantity - consi
1131	Code list identification code	C an..17	C	an..17		
3055	Code list responsible agency code	C an..3	C	an..3		
3224	Location name	C an..256	C	an..256		
C519	Related location one identification		N			
3223	First related location identifier	an..35	N			Not used
1131	Code list identification code	an..17	N			Not used
3055	Code list responsible agency code	an..3	N			Not used
3222	First related location name	an..70	N			Not used
C553	Related location two identification		N			
3233	Second related location identifier	an..35	N			Not used
1131	Code list identification code	an..17	N			Not used
3055	Code list responsible agency code	an..3	N			Not used
3232	Second related location name	an..70	N			Not used
5479	Relation code	an..3	N			Not used

Remark: logical or physical warehouse or storage facility

Example: LOC+18+X:::X'

MaxOcc = Maximum occurrence of the segment/group St = Status: M=Mandatory, C=Conditional, R=Required, O=Optional, D=Dependent, A=Advised, N=Not used



Tag	St	MaxOcc
-----	----	--------

SG12 D 9999 Inventory balance per individual warehouse / condition / different stocks only with PROACT, for ACS only Consi-stock
 Inventory balance per individual warehouse / condition / different stocks only with PROACT, for ACS only Consi-stock

DTM O 1 Message date of the previous message
 Message date of the previous message

EDIFACT			Conti		
Tag	Name	St Format	St	Format	Usage / Remark
C507	Date/time/period	M	M		
2005	Date or time or period function code qualifier	M an..3	M	an..3	127 Previous report date
2380	Date or time or period text	C n..12	R	n..12	Date / time of previous report
2379	Date or time or period format code	C an..3	C	an..3	102 CCYYMMDD 203 CCYYMMDDHHMM

Remark:

Example: DTM+127:X:102'

MaxOcc = Maximum occurrence of the segment/group St = Status: M=Mandatory, C=Conditional, R=Required, O=Optional, D=Dependent, A=Advised, N=Not used



Tag	St	MaxOcc
UNT	M	1 Message trailer

EDIFACT			Conti		
Tag	Name	St Format	St	Format	Usage / Remark
0074	Number of segments in the message	M n..6	M	n..6	Number of segments in the message
0062	Message reference number	M an..14	M	an..14	Message reference number

Remark:

Example: UNT+ '

MaxOcc = Maximum occurrence of the segment/group St = Status: M=Mandatory, C=Conditional, R=Required, O=Optional, D=Dependent, A=Advised, N=Not used



Tag	St	MaxOcc	
UNZ	M	1	Interchange trailer

EDIFACT			Conti		
Tag	Name	St Format	St	Format	Usage / Remark
0036	Interchange control count	M n..6	M	n..6	Interchange control count
0020	Interchange control reference	M an..14	M	an..14	Interchange control reference

Remark:

Example: UNZ+1+INTERCHANGE 1'

MaxOcc = Maximum occurrence of the segment/group St = Status: M=Mandatory, C=Conditional, R=Required, O=Optional, D=Dependent, A=Advised, N=Not used

Example Message

No	Tag	Example
01	UNA	UNA:+.? '
02	UNB	UNB+UNOC:3+OD012345:59:123+987654321:1:LAFES+071205:1446+144659+++++1'
03	UNH	UNH++INVRPT:D:13A:UN:GAVJ10'
04	BGM	BGM+35::6:PRO++9'
05	DTM	DTM+137:20140808:102'
SG2		
06	NAD	NAD+WH+123::91++Continental Automotive GmbH:Name2+Siemensstraße 12:Street2+Regensburg++93055+DE'
SG2		
07	NAD	NAD+GM+Identifler::92++Name1:Name2+Street1:Street2+City++12345+DE'
SG2		
08	NAD	NAD+ST+Identifler::92++Name1:Name2+Street1:Street2+City++12345+DE'
09	LOC	LOC+11+Abladestelle Id::92:Abladestelle'
SG9		
10	LIN	LIN+1++123ABC:IN'
11	PIA	PIA+1+ZusätzlicheProduktidentifikation:SA+ZusätzlicheProduktidentifikation:HS+ZusätzlicheProduktidentifikation:EC+ZusätzlicheProduktidentifikation:AB+ZusätzlicheProduktidentifikation:CL'
12	ALI	ALI+DE'
13	DTM	DTM+380::102'
14	DTM	DTM+60::102'
15	DTM	DTM+94:20130807:102'
SG12		
16	INV	INV+1++1'
17	QTY	QTY+156:100:PCE'
18	QTY	QTY+145:100:PCE'
19	LOC	LOC+18+X'
20	DTM	DTM+179:20140324:102'
SG15		
21	RFF	RFF+AAU:9'
22	DTM	DTM+171'
SG15		
23	RFF	RFF+ALO:9'
24	DTM	DTM+171'
SG15		
25	RFF	RFF+TN:9'
26	DTM	DTM+171'

No = Consecutive segment number



No	Tag	Example
SG15		
27	RFF	RFF+DQ:9'
28	DTM	DTM+171'
SG15		
29	RFF	RFF+ON:9'
30	DTM	DTM+171'
SG12		
31	INV	INV+N/A'
32	QTY	QTY+145:4000:PCE'
33	QTY	QTY+18:X:04'
34	LOC	LOC+18+X:::X'
35	DTM	DTM+127:X:102'
36	UNT	UNT+ '
37	UNZ	UNZ+1+INTERCHANGE 1'

No = Consecutive segment number