



Message Implementation Guideline

VDA 4938 T2 - GLOBAL INVOIC

based on

INVOIC

Invoice message

UN D.07A S3

Version: V1.2 - 2013
Variant: Gutschrift Conti 0
Issue date: 05.11.2013
Author: Klaus Hobmeier



Structure / Table of Contents

Tag	St	MaxOcc	Content
UNA	O	1	Service string advice UNA:+.? '
UNB	M	1	Interchange header UNB+UNOC:3+OD012345:59:123+987654321:1:X+071205:1446+144659+++++1'
UNH	M	1	Message header UNH+1+INVOIC:D:07A:UN:GAVA12'
BGM	M	1	Type of invoice and invoice number BGM+389:::Gutschrift+Rechnungsnummer+9'
DTM	M	1	Message date DTM+137:20131126:102'
DTM	R	1	Delivery or Service Completion Date DTM+1:20100308:102'
FTX	O	99	Legal info free text FTX+REG+++Gutschrift:Text:Text:Text:Text+de'
FTX	O	99	Legal info free text FTX+TXD+++Text:Text:Text:Text:Text+de'
SG2	R	1	Buyer
NAD	M	1	Buyer's Name and Address NAD+BY+Identifier::91+Name+Name:Name:Name:Name+Strasse:Strasse+Ort++PLZ+DE'
SG3	R	1	Buyer's VAT reference number
RFF	M	1	Buyer's reference number(s) RFF+VA:7656444'
SG3	O	5	Buyer's reference number(s)
RFF	M	1	Buyer's reference number(s) RFF+ADE:7656444'
SG5	O	1	Information contact
CTA	M	1	Contact information CTA+IC+X:X'
COM	O	4	Communication contact COM+X:TE'
SG5	O	1	Quality complaint contact
CTA	M	1	Contact information CTA+QA+X:X'
COM	O	4	Communication contact COM+X:TE'
SG2	O	1	Ship-to
NAD	M	1	Ship-to's name and address NAD+ST+Identifier::92++Name:Name:Name:Name+Strasse:Strasse+Ort++PLZ+DE'
SG2	R	1	Seller
NAD	M	1	Seller's name and address NAD+SE+Identifier::92++Name:Name:Name:Name+Strasse:Strasse+Ort++PLZ+DE'
SG3	O	1	Seller's tax payer's number
RFF	M	1	Sellers's reference number(s) RFF+FC:Steuernummer'
SG3	O	1	Seller's VAT reference number(s)
RFF	M	1	Sellers's reference number(s) RFF+VA:Umsatzsteuernummer des Verkäufers'

MaxOcc = Maximum occurrence of the segment/group St = Status: M=Mandatory, C=Conditional, R=Required, O=Optional, D=Dependent, A=Advised, N=Not used

Tag	St	MaxOcc	Content
SG5	O	1	Information contact
CTA	M	1	Information contact CTA+IC+:Name'
COM	O	5	Communication contact COM+Telefonnummer:TE'
SG7	R	1	Invoice and payment currency
CUX	M	1	Currencies CUX+2:EUR:4+3:USD:11+1'
DTM	D	1	Exchange rate date DTM+134:20131128:102'
SG7	O	1	Home currency
CUX	M	1	Home currency CUX+3:HUF:3++1'
DTM	O	1	Exchange rate date DTM+134::102'
SG8	O	10	Payment instructions
PYT	M	1	Payment terms PYT+1++++D+2'
DTM	O	1	Payment due date DTM+140:20131128:102'
DTM	O	1	Reference date/time DTM+171:20131128:102'
PCD	D	1	Discount, payment or instalment percentage PCD+7:5'
MOA	O	1	Instalment or payment discount amount MOA+52:67:EUR'
MOA	D	1	Monetary amount MOA+372:9:EUR'
PAI	D	1	Payment instructions PAI::49'
FII	O	1	Financial institution information FII+RH+4433221100:Iron Parts Ltd.:Kontoinhaber2+:::10090000::131:Volksbank'
SG26	R	900	Line item section
LIN	M	1	Line item and article nuber LIN+1++1234:IN'
PIA	O	1	Additional article identifier(s) 1 PIA+1+9876:SA'
IMD	R	5	Description of article or service IMD+++:::Article description'
QTY	R	1	Invoiced quantity QTY+47:9:C62'
ALI	O	1	Country of origin, customs information and booking key ALI++N+67'
DTM	D	1	Delivery or service completion date DTM+1:20100308:102'
FTX	O	99	Tax exemption reason text FTX+TXD+++X:X:X:aa'
SG27	R	1	Line item net amount

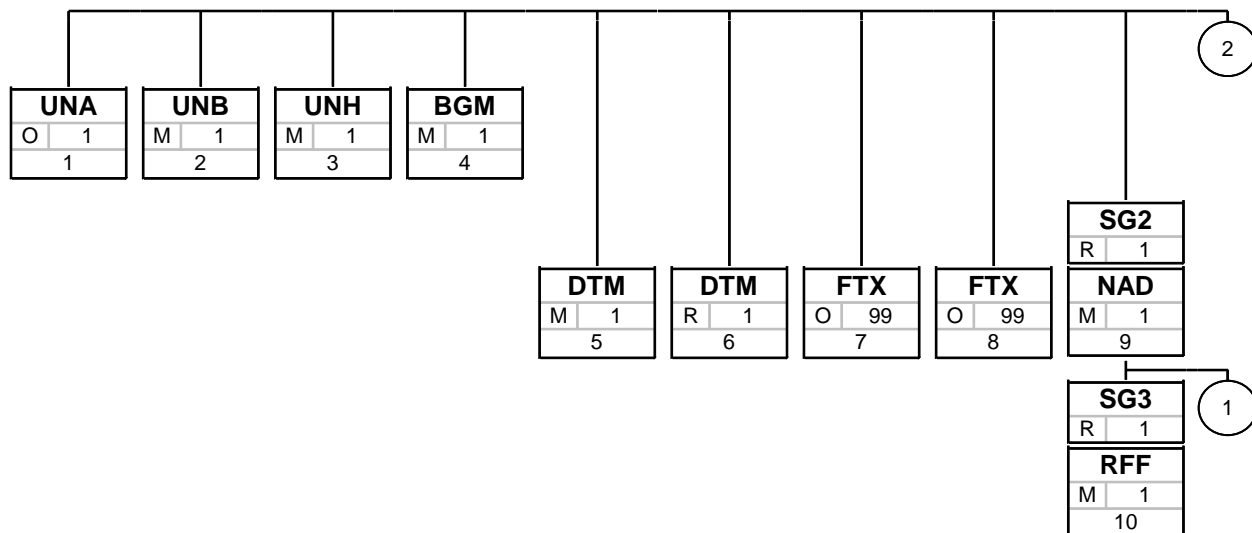
MaxOcc = Maximum occurrence of the segment/group St = Status: M=Mandatory, C=Conditional, R=Required, O=Optional, D=Dependent, A=Advised, N=Not used



Tag	St	MaxOcc	Content
MOA	M	1	Line item net amount in invoice currency MOA+203:9:EUR'
SG29	O	1	Calculation gross price
PRI	M	1	Price details PRI+AAB:9::AAL::KGM'
SG30	O	1	Frame contract (blanket order) / Order / Purchase order
RFF	M	1	Frame contract (blanket order) / Order / Purchase order RFF+ON:Bestellnummer:1'
SG30	O	1	Despatch note / delivery note (synonym)
RFF	M	1	Reference message number RFF+AAU:Lieferscheinnummer:1'
DTM	O	1	Reference message date DTM+171:20131120:102'
SG30	O	1	Goods receipt number / consignment withdrawal or aggregation number
RFF	M	1	Reference message number RFF+ALO:Wareneingangsnummer:5'
SG30	O	1	internal-order-number
RFF	M	1	Reference message number RFF+IL:Abrechnungslieferplannummer:5'
SG34	R	1	VAT rate and amount for line item
TAX	M	1	VAT or other tax rate TAX+7+VAT+++:::19+AA'
UNS	M	1	Section control UNS+S'
SG50	R	3	Invoice amount
MOA	M	1	Invoice amount MOA+77:1000:EUR'
SG50	R	3	Total tax amount
MOA	M	1	Total tax amount MOA+176:9:EUR'
SG50	O	3	Total line items amount
MOA	M	1	Total line items amount (sum of net line items amounts) MOA+79:9:EUR'
SG52	R	10	Tax rates and amounts
TAX	M	1	Tax type and rate TAX+7+VAT+++:::19+S'
MOA	R	1	Taxable amount in invoice currency MOA+125:9:EUR'
SG53	D	15	Delivery costs
ALC	M	1	Charge ALC+C+++ABK::272'
MOA	R	1	Charge amount MOA+8:9:EUR'
FTX	O	1	Charge description text FTX+ALC+++X:X:X:X+en'
UNT	M	1	Message trailer UNT+55+1'
UNZ	M	1	Interchange trailer UNZ+1+144659'

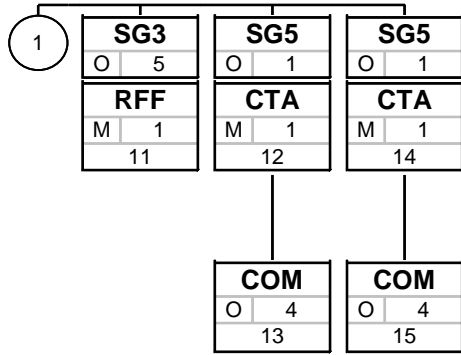
MaxOcc = Maximum occurrence of the segment/group St = Status: M=Mandatory, C=Conditional, R=Required, O=Optional, D=Dependent, A=Advised, N=Not used

Branching Diagram of Used Segments/Groups



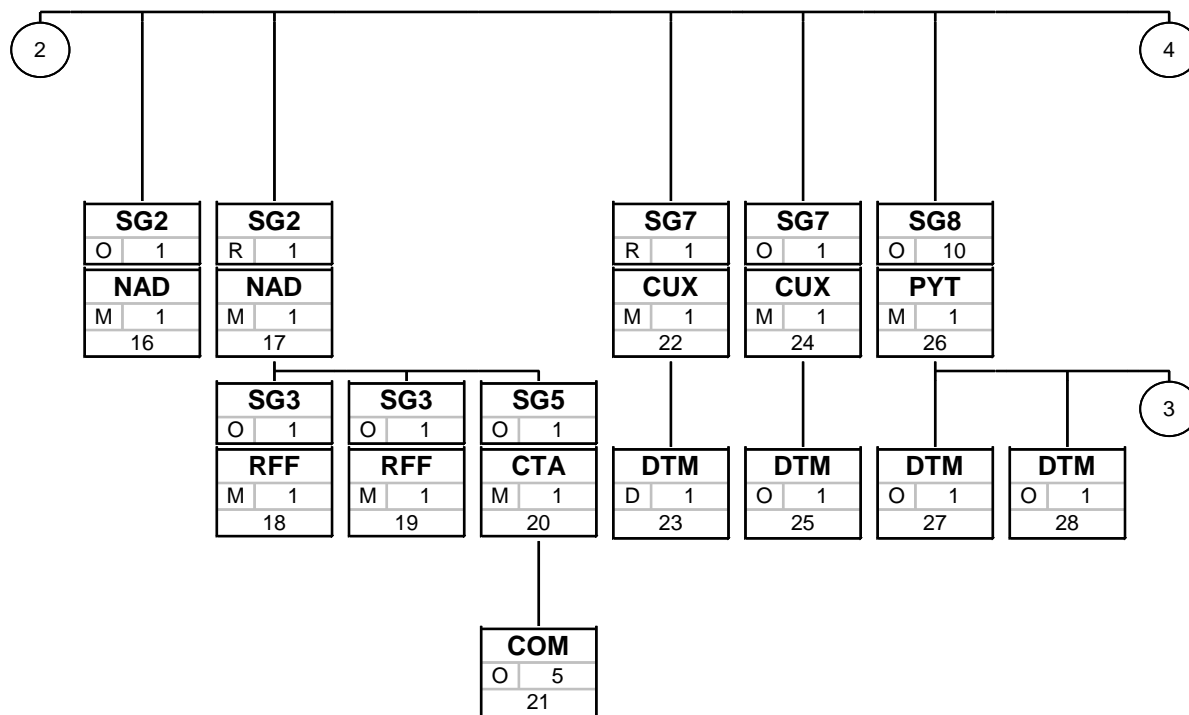
Tag
St MaxOcc
No

Tag = Segment/Group Tag
 St = Status: M=Mandatory, C=Conditional, R=Required, O=Optional, D=Dependent, A=Advised, N=Not used
 MaxOcc = Maximum occurrence of the segment/group
 No = Consecutive segment number



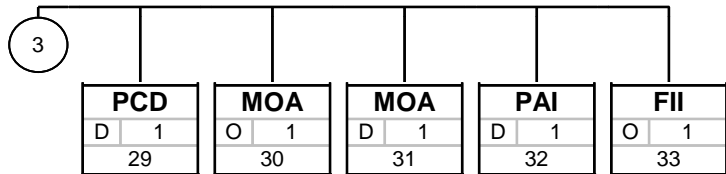
Tag
St MaxOcc
No

Tag = Segment/Group Tag
 St = Status: M=Mandatory, C=Conditional, R=Required, O=Optional, D=Dependent, A=Advised, N=Not used
 MaxOcc = Maximum occurrence of the segment/group
 No = Consecutive segment number



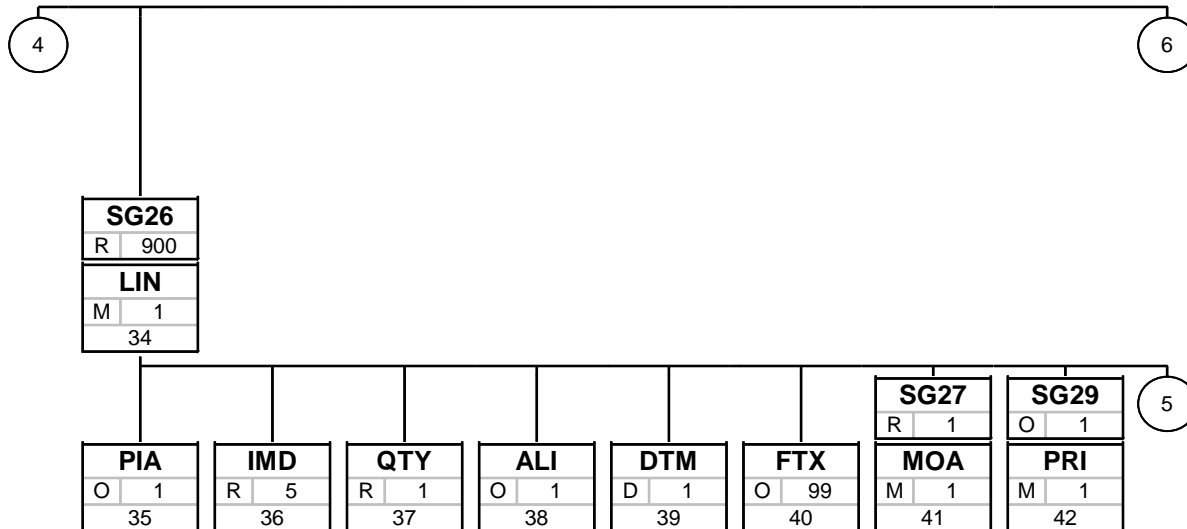
Tag
St MaxOcc
No

Tag = Segment/Group Tag
 St = Status: M=Mandatory, C=Conditional, R=Required, O=Optional, D=Dependent, A=Advised, N=Not used
 MaxOcc = Maximum occurrence of the segment/group
 No = Consecutive segment number



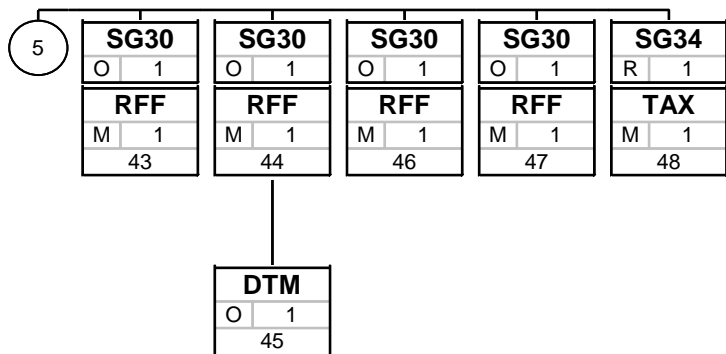
Tag
St MaxOcc
No

Tag = Segment/Group Tag
 St = Status: M=Mandatory, C=Conditional, R=Required, O=Optional, D=Dependent, A=Advised, N=Not used
 MaxOcc = Maximum occurrence of the segment/group
 No = Consecutive segment number



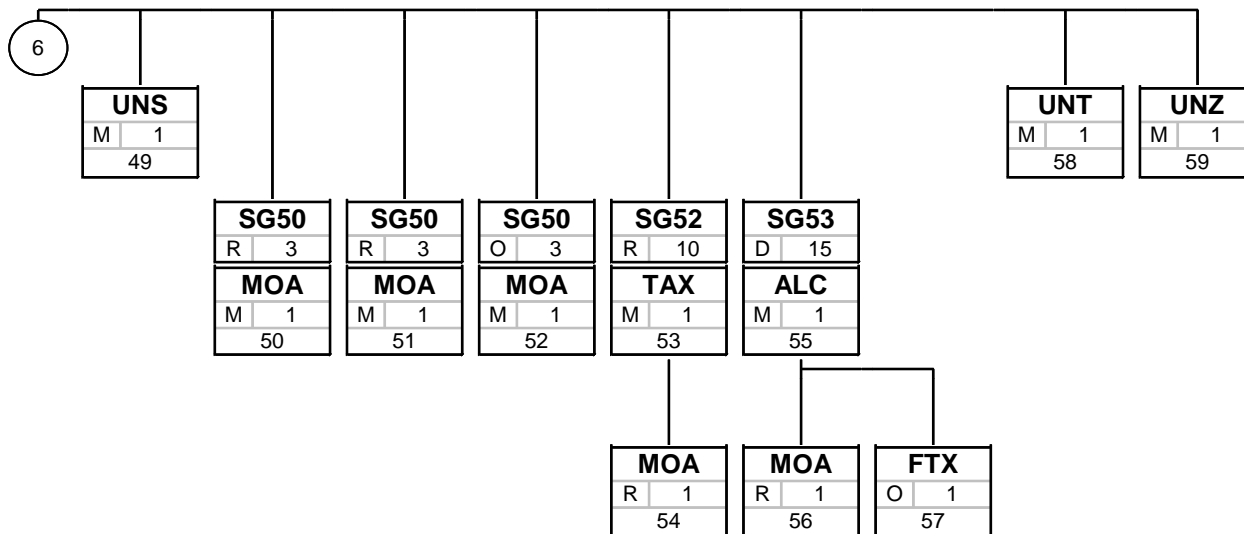
Tag
St MaxOcc
No

Tag = Segment/Group Tag
 St = Status: M=Mandatory, C=Conditional, R=Required, O=Optional, D=Dependent, A=Advised, N=Not used
 MaxOcc = Maximum occurrence of the segment/group
 No = Consecutive segment number



Tag
St MaxOcc
No

Tag = Segment/Group Tag
 St = Status: M=Mandatory, C=Conditional, R=Required, O=Optional, D=Dependent, A=Advised, N=Not used
 MaxOcc = Maximum occurrence of the segment/group
 No = Consecutive segment number



Tag
St MaxOcc
No

Tag = Segment/Group Tag
 St = Status: M=Mandatory, C=Conditional, R=Required, O=Optional, D=Dependent, A=Advised, N=Not used
 MaxOcc = Maximum occurrence of the segment/group
 No = Consecutive segment number

Segments

Tag	St	MaxOcc
-----	----	--------

UNA	O	1 Service string advice
------------	---	-------------------------

EDIFACT			Conti		
Tag	Name	St Format	St	Format	Usage / Remark
UNA1	Component data element separator	M an1	M	an1	Colon
UNA2	Data element separator	M an1	M	an1	Plus sign
UNA3	Decimal notation	M an1	M	an1	Point
UNA4	Release indicator	M an1	M	an1	Question mark
UNA5	Reserved for future use	M an1	M	an1	Blank
UNA6	Segment terminator	M an1	M	an1	Apostrophe

Remark:**Example:** UNA : + . ? ' '

MaxOcc = Maximum occurrence of the segment/group St = Status: M=Mandatory, C=Conditional, R=Required, O=Optional, D=Dependent, A=Advised, N=Not used



Tag	St	MaxOcc	
UNB	M	1	Interchange header

		EDIFACT	Conti		
Tag	Name	St Format	St	Format	Usage / Remark
S001	Syntax identifier	M	M		
0001	Syntax identifier	M a4	M	a4	UNOC UN/ECE level C 3 Version 3
0002	Syntax version number	M n1	M	n1	
S002	Interchange sender	M	M		
0004	Sender identification	M an..35	M	an..35	Unique ID of the sender in the data transmission network or system.
0007	Partner identification code qualifier	C an..4	O	an..4	
0008	Address for reverse routing	C an..14	O	an..14	Address of an application or internal system at sender's site to which answer messages should be routed.
S003	Interchange recipient	M	M		
0010	Recipient identification	M an..35	M	an..35	Unique ID of the receiver in the data transmission network or system.
0007	Partner identification code qualifier	C an..4	O	an..4	
0014	Routing address	C an..14	O	an..14	Address of an application or internal system at recipient's site.
S004	Date/time of preparation	M	M		
0017	Date of preparation	M n6	M	n6	Format YYMMDD
0019	Time of preparation	M n4	M	n4	Format HHMM
0020	Interchange control reference	M an..14	M	an..14	Unique ID of an interchange.
S005	Recipient's reference, password		N		
0022	Recipient's reference/password	an..14	N		Not used
0025	Recipient's reference/password qualifier	an2	N		Not used
0026	Application reference	an..14	N		Not used
0029	Processing priority code	a1	N		Not used
0031	Acknowledgement request	n1	N		Not used
0032	Communications agreement ID	an..35	N		Not used
0035	Test indicator	C n1	O	n1	1 Interchange is a test Only to be used, if the interchange is for test purposes. Omit this data element for valid interchanges.

Remark:

Example: UNB+UNOC:3+OD012345:59:123+987654321:1:X+071205:1446+144659+++++1'

MaxOcc = Maximum occurrence of the segment/group St = Status: M=Mandatory, C=Conditional, R=Required, O=Optional, D=Dependent, A=Advised, N=Not used



Tag	St	MaxOcc	
UNH	M	1	Message header

EDIFACT			Conti		
Tag	Name	St Format	St	Format	Usage / Remark
0062	Message reference number	M an..14	M	an..14	Message reference number - unique number to identify the message within the interchange, usually a consecutive number starting with 1.
S009	Message identifier	M	M		
0065	Message type	M an..6	M	an..6	INVOIC Invoice message
0052	Message version number	M an..3	M	an..3	D Draft version/UN/EDIFACT Directory
0054	Message release number	M an..3	M	an..3	07A Release 2007 - A
0051	Controlling agency	M an..2	M	an..2	UN UN/CEFACT
0057	Association assigned code	C an6	R	an6	Identification of the subset release, assigned by the responsible organisation (Odette or member organisation). The code assigned by VDA should be used for a more exact specification of the applied subset.
0068	Common access reference	an..35	N		Not used
S010	Status of the transfer		N		
0070	Sequence of transfers	n..2	N		Not used
0073	First and last transfer	a1	N		Not used

Remark:

Example: UNH+1+INVOIC:D:07A:UN:GAVA12'

MaxOcc = Maximum occurrence of the segment/group St = Status: M=Mandatory, C=Conditional, R=Required, O=Optional, D=Dependent, A=Advised, N=Not used



Tag	St	MaxOcc
BGM	M	1 Type of invoice and invoice number

EDIFACT			Conti		
Tag	Name	St Format	St	Format	Usage / Remark
C002	Document/message name	C	R		
1001	Document name code	C an..3	R	an..3	The following explanations are intended to support a unique usage of the different message types: Table of transaction types and their results Code specifying the type or subtype of the business document. Use UN/EDIFACT code list 1001 and JAI code list JAI001 389 Self-billed invoice
1131	Code list identification code	an..17	N		Not used
3055	Code list responsible agency code	C an..3	O	an..3	272 Joint Automotive Industry agency Agency responsible for code list / identifier maintenance
1000	Document name	C an..35	O	an..35	Name of the document in text
C106	Document/message identification	C	R		
1004	Document identifier	C an..16	R	an..16	Invoice number
1056	Version identifier	an..9	N		Not used
1060	Revision identifier	an..6	N		Not used
1225	Message function code	C an..3	O	an..3	9 Original 7 Duplicate Code indicating the function of the document.
4343	Response type code	an..3	N		Not used

Remark:

Example: BGM+389:::Gutschrift+Rechnungsnummer+9'

MaxOcc = Maximum occurrence of the segment/group St = Status: M=Mandatory, C=Conditional, R=Required, O=Optional, D=Dependent, A=Advised, N=Not used



Tag	St	MaxOcc
-----	----	--------

DTM	M	1 Message date
------------	---	----------------

EDIFACT			Conti		
Tag	Name	St Format	St	Format	Usage / Remark
C507	Date/time/period	M	M		
2005	Date or time or period function code qualifier	M an..3	M	an..3	The message date is perceived as synonym also for the invoice date. 137 Document issue date time
2380	Date or time or period text	C n8	R	n8	Date of the invoice document
2379	Date or time or period format code	C an..3	R	an..3	102 CCYYMMDD

Remark:

Example: DTM+137:20131126:102'

MaxOcc = Maximum occurrence of the segment/group St = Status: M=Mandatory, C=Conditional, R=Required, O=Optional, D=Dependent, A=Advised, N=Not used



Tag	St	MaxOcc
DTM	R	1 Delivery or Service Completion Date

		EDIFACT	Conti		
Tag	Name	St Format	St	Format	Usage / Remark
C507	Date/time/period	M	M		
2005	Date or time or period function code qualifier	M an..3	M	an..3	1 Service completion date/time, actual
2380	Date or time or period text	C n..12	R	n..12	Service completion date
2379	Date or time or period format code	C an..3	R	an..3	102 CCYYMMDD

Remark:

In Europe, the invoice must contain the delivery or service date that is relevant for taxation purposes. Depending on the business process this can be the shipment date, the arrival date (receiving date) or even the consumption date. This segment is to be used to have one unique date that is not dependent on the individual process.

If an invoice contains line items with different tax rates for the same tax type (for instance the standard tax rate increases from 19% in month A to 21% in month B and the invoice covers line items of month A and B) then the allocation of tax amounts related to the different tax rates in the summary section and their allocation to different tax periods in the accounting system has to be done independently of the delivery or service completion date in the header.

Example: DTM+1:20100308:102'

MaxOcc = Maximum occurrence of the segment/group St = Status: M=Mandatory, C=Conditional, R=Required, O=Optional, D=Dependent, A=Advised, N=Not used



Tag	St	MaxOcc
FTX	O	99 Legal info free text

EDIFACT			Conti		Usage / Remark
Tag	Name	St Format	St	Format	
4451	Text subject code qualifier	M an..3	M	an..3	REG Regulatory information REG is to be used for information required by legislation (e.g. members of the board etc.).
4453	Free text function code	an..3	N		Not used
C107	Text reference		N		
4441	Free text description code	an..17	N		Not used
1131	Code list identification code	an..17	N		Not used
3055	Code list responsible agency code	an..3	N		Not used
C108	Text literal	C	R		
4440	Free text	M an..256	M	an..256	A line of plain, non-structured text information.
4440	Free text	C an..256	O	an..256	see 4440 # 1
4440	Free text	C an..256	O	an..256	see 4440 # 1
4440	Free text	C an..256	O	an..256	see 4440 # 1
4440	Free text	C an..256	O	an..256	see 4440 # 1
3453	Language name code	C an..3	O	an..3	Code specifying the language name. Use ISO 639-1988
4447	Free text format code	an..3	N		Not used

Remark:
Free text containing information or statements as required by legal environment.

Example: FTX+REG+++Gutschrift:Text:Text:Text:Text+de'

MaxOcc = Maximum occurrence of the segment/group St = Status: M=Mandatory, C=Conditional, R=Required, O=Optional, D=Dependent, A=Advised, N=Not used



Tag	St	MaxOcc
FTX	O	99 Legal info free text

EDIFACT			Conti		Usage / Remark
Tag	Name	St Format	St	Format	
4451	Text subject code qualifier	M an..3	M	an..3	TXD Tax declaration TXD is to be used for declaring the reason for tax exemption, valid for all line items.
4453	Free text function code	an..3	N		Not used
C107	Text reference		N		
4441	Free text description code	an..17	N		Not used
1131	Code list identification code	an..17	N		Not used
3055	Code list responsible agency code	an..3	N		Not used
C108	Text literal	C	R		
4440	Free text	M an..256	M	an..256	A line of plain, non-structured text information.
4440	Free text	C an..256	O	an..256	see 4440 # 1
4440	Free text	C an..256	O	an..256	see 4440 # 1
4440	Free text	C an..256	O	an..256	see 4440 # 1
4440	Free text	C an..256	O	an..256	see 4440 # 1
3453	Language name code	C an..3	O	an..3	Code specifying the language name. Use ISO 639-1988
4447	Free text format code	an..3	N		Not used

Remark:
Free text containing information or statements as required by legal environment.

Example: FTX+TXD+++Text : Text : Text : Text : Text+de '

MaxOcc = Maximum occurrence of the segment/group St = Status: M=Mandatory, C=Conditional, R=Required, O=Optional, D=Dependent, A=Advised, N=Not used



Tag	St	MaxOcc
SG2	R	1 Buyer
NAD	M	1 Buyer's Name and Address

EDIFACT			Conti		
Tag	Name	St Format	St	Format	Usage / Remark
3035	Party function code qualifier	M an..3	M	an..3	BY Buyer
C082	Party identification details	C	R		All partners listed in the invoicing message are to be transmitted with the complete name and address information. Partner ID is an additional information for enabling the automated processing and matching to internal records.
3039	Party identifier	M an..35	M	an..35	Unique identification of a party by an ID (customer number, supplier number, DUNS or similar).
1131	Code list identification code	an..17	N		Not used
3055	Code list responsible agency code	C an..3	R	an..3	91 Assigned by seller or seller's agent Agency responsible for code list / identifier maintenance
C058	Name and address	C	O		
3124	Name and address description	M an..35	M	an..35	
3124	Name and address description	an..35	N		Not used
3124	Name and address description	an..35	N		Not used
3124	Name and address description	an..35	N		Not used
3124	Name and address description	an..35	N		Not used
C080	Party name	C	O		
3036	Party name	M an..35	M	an..35	Single text line for specification of a name
3036	Party name	C an..35	O	an..35	see 3036 # 1
3036	Party name	C an..35	O	an..35	see 3036 # 1
3036	Party name	C an..35	O	an..35	see 3036 # 1
3036	Party name	an..35	N		Not used
3045	Party name format code	an..3	N		Not used
C059	Street	C	O		
3042	Street and number or post office box identifier	M an..35	M	an..35	The name that identifies the location of a house or building; usually within a street as part of an address.
3042	Street and number or post office box identifier	C an..35	O	an..35	see 3042 # 1
3042	Street and number or post office box identifier	an..35	N		Not used
3042	Street and number or post office box identifier	an..35	N		Not used
3164	City name	C an..35	R	an..35	The name of the city, town, or village of this address.
C819	Country subdivision details		N		
3229	Country subdivision identifier	an..9	N		Not used
1131	Code list identification code	an..17	N		Not used
3055	Code list responsible agency code	an..3	N		Not used
3228	Country subdivision name	an..70	N		Not used
3251	Postal identification code	C an..17	R	an..17	The identifier for one or more properties according to the postal service of that country; a group of letters and/or numbers added to the postal address to assist in the sorting of mail.
3207	Country identifier	C a2	R	a2	Provides the country part of an address using a code. Use ISO3166 two alpha code.

Remark:

Party to whom merchandise and/or service is sold.

Example:

NAD+BY+Identifier::91+Name+Name:Name:Name:Name+Strasse:Strasse+Ort++PLZ+DE'

MaxOcc = Maximum occurrence of the segment/group St = Status: M=Mandatory, C=Conditional, R=Required, O=Optional, D=Dependent, A=Advised, N=Not used



Tag	St	MaxOcc
SG3	R	1 Buyer's VAT reference number
RFF	M	1 Buyer's reference number(s)

EDIFACT			Conti		
Tag	Name	St Format	St	Format	Usage / Remark
C506	Reference	M	M		
1153	Reference code qualifier	M an..3	M	an..3	VA VAT registration number
1154	Reference identifier	C an..35	R	an..35	For 1153=VA: Unique number assigned by the relevant tax authority to identify a party for use in relation to Value Added Tax (VAT).
1156	Document line identifier	an..6	N		Not used
1056	Version identifier	an..9	N		Not used
1060	Revision identifier	an..6	N		Not used

Remark:

Example: RFF+VA:7656444'

MaxOcc = Maximum occurrence of the segment/group St = Status: M=Mandatory, C=Conditional, R=Required, O=Optional, D=Dependent, A=Advised, N=Not used



Tag	St	MaxOcc
SG3	O	5 Buyer's reference number(s)
RFF	M	1 Buyer's reference number(s)

EDIFACT			Conti		Usage / Remark
Tag	Name	St Format	St	Format	
C506	Reference	M	M		
1153	Reference code qualifier	M an..3	M	an..3	ANK may be used to transmit the DUNS number in addition to customer or supplier number in the NAD segment. This is only necessary if both numbers have to be transmitted. If only the DUNS number is required, the the NAD DE 3019 shall be used. ADE Account number ANK Reference number assigned by third party FC Fiscal number XA Company/place registration number
1154	Reference identifier	C an..35	R	an..35	For 1153=ADE: The account ID of a party, allocated by a trading partner for the debits or credits account used within the internal information processing and financial system. There is not always a one to one relationship between this number and the party's identification number. For 1153=FC: Tax payer's number. Number assigned to individual persons as well as to corporates by a public institution; this number is different from the VAT registration number. For 1153=VA: Unique number assigned by the relevant tax authority to identify a party for use in relation to Value Added Tax (VAT). For 1153=XA: Identifier of a company in the commercial registry
1156	Document line identifier	an..6	N		Not used
1056	Version identifier	an..9	N		Not used
1060	Revision identifier	an..6	N		Not used

Remark:

Example: RFF+ADE: 7656444 '

MaxOcc = Maximum occurrence of the segment/group St = Status: M=Mandatory, C=Conditional, R=Required, O=Optional, D=Dependent, A=Advised, N=Not used



Tag	St	MaxOcc	
SG5	O	1	Information contact
CTA	M	1	Contact information

EDIFACT			Conti		
Tag	Name	St Format	St	Format	Usage / Remark
3139	Contact function code	C an..3	R	an..3	IC Information contact
C056	Contact details	C	O		
3413	Contact identifier	C an..17	O	an..17	Identifies the department or employee by a unique identifier other than their name when given as a contact.
3412	Contact name	C an..35	O	an..35	Name of the contact person or department

Remark:

Example: CTA+IC+X:X'

MaxOcc = Maximum occurrence of the segment/group St = Status: M=Mandatory, C=Conditional, R=Required, O=Optional, D=Dependent, A=Advised, N=Not used



Tag	St	MaxOcc	
SG5	O	1	Information contact
COM	O	4	Communication contact

EDIFACT			Conti		
Tag	Name	St Format	St	Format	Usage / Remark
C076	Communication contact	M	M		
3148	Communication address identifier	M an..100	M	an..100	Buyer's Communication Number
3155	Communication means type code	M an..3	M	an..3	EM Electronic mail FX Telefax IM Internal mail TE Telephone

Remark:

Example: COM+X:TE'

MaxOcc = Maximum occurrence of the segment/group St = Status: M=Mandatory, C=Conditional, R=Required, O=Optional, D=Dependent, A=Advised, N=Not used



Tag	St	MaxOcc	
SG5	O	1	Quality complaint contact
CTA	M	1	Contact information

		EDIFACT	Conti			
Tag	Name	St	Format	St	Format	Usage / Remark
3139	Contact function code	C	an..3	R	an..3	QA Quality assurance contact
C056	Contact details	C		O		
3413	Contact identifier	C	an..17	O	an..17	Identifies the department or employee by a unique identifier other than their name when given as a contact.
3412	Contact name	C	an..35	O	an..35	Name of the contact person or department

Remark:

Example: CTA+QA+X:X'

MaxOcc = Maximum occurrence of the segment/group St = Status: M=Mandatory, C=Conditional, R=Required, O=Optional, D=Dependent, A=Advised, N=Not used



Tag	St	MaxOcc	
SG5	O	1	Quality complaint contact
COM	O	4	Communication contact

EDIFACT			Conti		
Tag	Name	St Format	St	Format	Usage / Remark
C076	Communication contact	M	M		
3148	Communication address identifier	M an..100	M	an..100	Buyer's Communication Number
3155	Communication means type code	M an..3	M	an..3	EM Electronic mail FX Telefax IM Internal mail TE Telephone

Remark:

Example: COM+X:TE'

MaxOcc = Maximum occurrence of the segment/group St = Status: M=Mandatory, C=Conditional, R=Required, O=Optional, D=Dependent, A=Advised, N=Not used



Tag	St	MaxOcc
SG2	O	1 Ship-to
NAD	M	1 Ship-to's name and address

EDIFACT			Conti		
Tag	Name	St Format	St	Format	Usage / Remark
3035	Party function code qualifier	M an..3	M	an..3	ST Ship to
C082	Party identification details	C	O		
3039	Party identifier	M an..35	R	an..35	All partners listed in the invoicing message are to be transmitted with the complete name and address information. Partner ID is an additional information for enabling the automated processing and matching to internal records.
1131	Code list identification code	an..17	N		In case of production materials deliveries this is usually the plant number of the receiving plant. Unique identification of a party by an ID (customer number, supplier number, DUNS or similar).
3055	Code list responsible agency code	C an..3	R	an..3	Not used
C058	Name and address		N		92 Assigned by buyer or buyer's agent
3124	Name and address description	M an..35	M	an..35	Agency responsible for code list / identifier maintenance
3124	Name and address description	an..35	N		
3124	Name and address description	an..35	N		Not used
3124	Name and address description	an..35	N		Not used
3124	Name and address description	an..35	N		Not used
C080	Party name	C	R		
3036	Party name	M an..35	M	an..35	Single text line for specification of a name
3036	Party name	C an..35	O	an..35	see 3036 # 1
3036	Party name	C an..35	O	an..35	
3036	Party name	C an..35	O	an..35	
3036	Party name	an..35	N		Not used
3045	Party name format code	an..3	N		Not used
C059	Street	C	O		
3042	Street and number or post office box identifier	M an..35	M	an..35	The name that identifies the location of a house or building: usually within a street as part of an address.
3042	Street and number or post office box identifier	C an..35	O	an..35	see 3042 # 1
3042	Street and number or post office box identifier	an..35	N		Not used
3042	Street and number or post office box identifier	an..35	N		Not used
3164	City name	C an..35	R	an..35	The name of the city, town, or village of this address.
C819	Country subdivision details		N		
3229	Country subdivision identifier	an..9	N		Not used
1131	Code list identification code	an..17	N		Not used
3055	Code list responsible agency code	an..3	N		Not used
3228	Country subdivision name	an..70	N		Not used
3251	Postal identification code	C an..17	R	an..17	The identifier for one or more properties according to the postal service of that country; a group of letters and/or numbers added to the postal address to assist in the sorting of mail.
3207	Country identifier	C a2	R	a2	Provides the country part of an address using a code. Use ISO3166 two alpha code.

Remark:

The party to which goods are to be shipped (consigned).

Example:

NAD::ST+Identifier::92++Name:Name:Name:Name+Strasse:Strasse+Ort++PLZ+DE'

MaxOcc = Maximum occurrence of the segment/group St = Status: M=Mandatory, C=Conditional, R=Required, O=Optional, D=Dependent, A=Advised, N=Not used



Tag	St	MaxOcc
SG2	R	1 Seller
NAD	M	1 Seller's name and address

EDIFACT			Conti		
Tag	Name	St Format	St	Format	Usage / Remark
3035	Party function code qualifier	M an..3	M	an..3	SE Seller
C082	Party identification details	C	R		All partners listed in the invoicing message are to be transmitted with the complete name and address information. Partner ID is an additional information for enabling the automated processing and matching to internal records.
3039	Party identifier	M an..35	R	an..35	Unique identification of a party by an ID (customer number, supplier number, DUNS or similar).
1131	Code list identification code	an..17	N		Not used
3055	Code list responsible agency code	C an..3	R	an..3	92 Assigned by buyer or buyer's agent Agency responsible for code list / identifier maintenance
C058	Name and address		N		
3124	Name and address description	M an..35	M	an..35	
3124	Name and address description	an..35	N		Not used
3124	Name and address description	an..35	N		Not used
3124	Name and address description	an..35	N		Not used
3124	Name and address description	an..35	N		Not used
C080	Party name	C	R		
3036	Party name	M an..35	M	an..35	Single text line for specification of a name
3036	Party name	C an..35	O	an..35	see 3036 # 1
3036	Party name	C an..35	O	an..35	see 3036 # 1
3036	Party name	C an..35	O	an..35	see 3036 # 1
3036	Party name	an..35	N		Not used
3045	Party name format code	an..3	N		Not used
C059	Street	C	O		
3042	Street and number or post office box identifier	M an..35	M	an..35	The name that identifies the location of a house or building: usually within a street as part of an address.
3042	Street and number or post office box identifier	C an..35	O	an..35	see 3042 # 1
3042	Street and number or post office box identifier	an..35	N		Not used
3042	Street and number or post office box identifier	an..35	N		Not used
3164	City name	C an..35	O	an..35	The name of the city, town, or village of this address.
C819	Country subdivision details		N		
3229	Country subdivision identifier	an..9	N		Not used
1131	Code list identification code	an..17	N		Not used
3055	Code list responsible agency code	an..3	N		Not used
3228	Country subdivision name	an..70	N		Not used
3251	Postal identification code	C an..17	R	an..17	The identifier for one or more properties according to the postal service of that country; a group of letters and/or numbers added to the postal address to assist in the sorting of mail.
3207	Country identifier	C a2	R	a2	Provides the country part of an address using a code. Use ISO3166 two alpha code.

Remark:

Party selling merchandise to a buyer.

Seller: The party who has liability to fulfill the contract. It is often used in the sense of seller and supplier and ship-from.

Example: NAD+SE+Identifier::92++Name:Name:Name:Name+Strasse:Strasse+Ort++PLZ+DE'

MaxOcc = Maximum occurrence of the segment/group St = Status: M=Mandatory, C=Conditional, R=Required, O=Optional, D=Dependent, A=Advised, N=Not used



Tag	St	MaxOcc	
SG3	O	1	Seller's tax payer's number
RFF	M	1	Sellers's reference number(s)

EDIFACT			Conti		
Tag	Name	St Format	St	Format	Usage / Remark
C506	Reference	M	M		
1153	Reference code qualifier	M an..3	M	an..3	FC Fiscal number
1154	Reference identifier	C an..35	R	an..35	For 1153=FC: Tax payer's number. Number assigned to individual persons as well as to corporates by a public institution; this number is different from the VAT registration number.
1156	Document line identifier	an..6	N		Not used
1056	Version identifier	an..9	N		Not used
1060	Revision identifier	an..6	N		Not used

Remark:

Example: RFF+FC:Steuernummer '

MaxOcc = Maximum occurrence of the segment/group St = Status: M=Mandatory, C=Conditional, R=Required, O=Optional, D=Dependent, A=Advised, N=Not used



Tag	St	MaxOcc
SG3	O	1 Seller's VAT reference number(s)
RFF	M	1 Sellers's reference number(s)

EDIFACT			Conti		
Tag	Name	St Format	St	Format	Usage / Remark
C506	Reference	M	M		
1153	Reference code qualifier	M an..3	M	an..3	VA VAT registration number
1154	Reference identifier	C an..35	R	an..35	For 1153=VA: Unique number assigned by the relevant tax authority to identify a party for use in relation to Value Added Tax (VAT).
1156	Document line identifier	an..6	N		Not used
1056	Version identifier	an..9	N		Not used
1060	Revision identifier	an..6	N		Not used

Remark:

Example: RFF+VA:Umsatzsteuernummer des Verkäufers'

MaxOcc = Maximum occurrence of the segment/group St = Status: M=Mandatory, C=Conditional, R=Required, O=Optional, D=Dependent, A=Advised, N=Not used



Tag	St	MaxOcc
-----	----	--------

SG5 O 1 **Information contact**

Information that identifies the contact person or department on general matters, together with information about how they can be contacted.

CTA M 1 **Information contact**

EDIFACT			Conti		
Tag	Name	St Format	St	Format	Usage / Remark
3139	Contact function code	C an..3	C	an..3	IC Information contact
C056	Contact details	C	O		
3413	Contact identifier	C an..17	O	an..17	Identifies the department or employee by a unique identifier other than their name when given as a contact.
3412	Contact name	C an..35	O	an..35	Name of the contact person or department

Remark:

Information that identifies the contact person or department on general matters, together with information about how they can be contacted.

Example: CTA+IC+ :Name '

MaxOcc = Maximum occurrence of the segment/group St = Status: M=Mandatory, C=Conditional, R=Required, O=Optional, D=Dependent, A=Advised, N=Not used



Tag	St	MaxOcc
-----	----	--------

SG5 O 1 **Information contact**

Information that identifies the contact person or department on general matters, together with information about how they can be contacted.

COM O 5 **Communication contact**

EDIFACT			Conti		
Tag	Name	St Format	St	Format	Usage / Remark
C076	Communication contact	M	M		
3148	Communication address identifier	M an..100	M	an..100	Communication number / address
3155	Communication means type code	M an..3	M	an..3	TE Telephone FX Telefax EM Electronic mail IM Internal mail

Remark:

Example: COM+Telefonnummer:TE'

MaxOcc = Maximum occurrence of the segment/group St = Status: M=Mandatory, C=Conditional, R=Required, O=Optional, D=Dependent, A=Advised, N=Not used



Tag	St	MaxOcc	
SG7	R	1	Invoice and payment currency
CUX	M	1	Currencies

		EDIFACT	Conti		
Tag	Name	St Format	St	Format	Usage / Remark
C504	Invoice currency	C	C		
6347	Currency usage code qualifier	M an..3	M	an..3	2 Reference currency
6345	Currency identification code	C an..3	R	an..3	Code specifying a monetary unit.
6343	Currency type code qualifier	C an..3	R	an..3	4 Invoicing currency
6348	Currency rate	n..4	N		Not used
C504	Home or payment currency	C	O		
6347	Currency usage code qualifier	M an..3	M	an..3	3 Target currency
6345	Currency identification code	C an..3	R	an..3	Target Currency specifies the currency that has to be used for accounting, taxation, or calculation purposes in those cases, when a monetary amount is given in a different currency. Use ISO 4217 3-alpha currency code.
6343	Currency type code qualifier	C an..3	R	an..3	11 Payment currency
6348	Currency rate	n..4	N		Not used
5402	Currency exchange rate	C n..12	O	n..12	The rate at which one specified currency is expressed in another specified currency.
6341	Exchange rate currency market identifier	an..3	N		Not used

Remark:

A segment group combining a (source) currency and a target currency with the appropriate rate of exchange for those cases, where the transformation of currency is necessary.

If the invoicing currency is the official domestic currency, this segment group can be omitted (this may depend on national fiscal requirements). Otherwise it is used to state the necessary currencies.

It has to contain the invoice currency and may contain home or payment currency.

Invoicing currency is always to be given in the first occurrence of the CUX segment, C504#1 as follows:

6347: '2', 6345: currency, 6343: '4'

If a different payment or home currency is to be given, the second occurrence of C504 in the CUX segment is to be used as follows: second 6347: '3', second 6345: currency, and second 6343: '3' or '11'. Data element 5402 contains the currency conversion rate.

If three currencies have to be transmitted, another SG7 - CUX, DTM has to be created and the following rule shall apply:

SG7#1 CUX C504#1: invoice currency (see above)

SG7#1 CUX C504#2: payment currency (see above)

SG7#2 CUX C504#1: home currency (see below)

6347 '3' 6345 Currency 6343 '3'

Home currency: in some countries it is a requirement that, for invoicing in foreign currency, the invoice taxable and tax (e.g. VAT) amounts must also be expressed in home currency. Relating this to the CUX segments, authorities would require the invoicing currency and the home currency to be shown, together with the rate of exchange (element 5402).

Example: CUX+2:EUR:4+3:USD:11+1'

MaxOcc = Maximum occurrence of the segment/group St = Status: M=Mandatory, C=Conditional, R=Required, O=Optional, D=Dependent, A=Advised, N=Not used



Tag	St	MaxOcc	
SG7	R	1	Invoice and payment currency
DTM	D	1	Exchange rate date

EDIFACT			Conti		
Tag	Name	St Format	St	Format	Usage / Remark
C507	Date/time/period	M	M		
2005	Date or time or period function code qualifier	M an..3	M	an..3	134 Rate of exchange date/time
2380	Date or time or period text	C n8	R	n8	To specify the date a given exchange rate between two currencies has been calculated (or has been published by other sources).
2379	Date or time or period format code	C an..3	R	an..3	102 CCYYMMDD

Remark:

The exchange rate date has to be specified only when payment or home currency is used in that CUX segment.

Example: DTM+134:20131128:102'

MaxOcc = Maximum occurrence of the segment/group St = Status: M=Mandatory, C=Conditional, R=Required, O=Optional, D=Dependent, A=Advised, N=Not used



Tag	St	MaxOcc	
SG7	O	1	Home currency
CUX	M	1	Home currency

EDIFACT			Conti		
Tag	Name	St Format	St	Format	Usage / Remark
C504	Currency details	C	R		
6347	Currency usage code qualifier	M an..3	M	an..3	3 Target currency
6345	Currency identification code	C an..3	R	an..3	Code specifying a monetary unit.
6343	Currency type code qualifier	C an..3	R	an..3	3 Home currency
6348	Currency rate	n..4	N		Not used
C504	Currency details		N		
6347	Currency usage code qualifier	an..3	N		Not used
6345	Currency identification code	C an..3	C	an..3	
6343	Currency type code qualifier	C an..3	C	an..3	
6348	Currency rate	n..4	N		Not used
5402	Currency exchange rate	C n..12	O	n..12	Exchange rate between the invoice currency and the home(domestic) currency.
6341	Exchange rate currency market identifier	an..3	N		Not used

Remark:

In some countries it is a requirement that, for invoicing in foreign currency, the invoice taxable and tax (e.g. VAT) amounts must also be expressed in home currency. Relating this to the CUX segments, authorities would require the invoicing currency and the home currency to be shown, together with the rate of exchange (element 5402).

Invoicing currency is always to be given in the first occurrence of the CUX segment.

Example: CUX+3:HUF:3++1'



Tag	St	MaxOcc	
SG7	O	1	Home currency
DTM	O	1	Exchange rate date

EDIFACT			Conti		
Tag	Name	St Format	St	Format	Usage / Remark
C507	Date/time/period	M	M		
2005	Date or time or period function code qualifier	M an..3	M	an..3	134 Rate of exchange date/time
2380	Date or time or period text	C n8	O	n8	To specify the date, a given exchange rate between two currencies has been calculated (or has been published by other sources).
2379	Date or time or period format code	C an..3	R	an..3	102 CCYYMMDD

Remark:

This exchange rate date has to be specified only when it differs from the exchange rate date given in the previous segment group.

Example: DTM+134:::102'

MaxOcc = Maximum occurrence of the segment/group St = Status: M=Mandatory, C=Conditional, R=Required, O=Optional, D=Dependent, A=Advised, N=Not used



Tag	St	MaxOcc	
SG8	O	10	Payment instructions
PYT	M	1	Payment terms

EDIFACT			Conti		
Tag	Name	St Format	St	Format	Usage / Remark
4279	Payment terms type code qualifier	M an..3	M	an..3	1 Basic Qualifier for payment terms.
C019	Payment terms		N		
4277	Payment terms description identifier	an..17	N		Not used
1131	Code list identification code	an..17	N		Not used
3055	Code list responsible agency code	an..3	N		Not used
4276	Payment terms description	an..35	N		Not used
2475	Event time reference code	an..3	N		Payment Time Reference Coded - see code list 2475 Reference to the date of a specific event, e.g. issue date of a specified business document (for example invoice date). see code list 2475 Not used
2009	Terms time relation code	an..3	N		1 Reference date 2 Before reference 3 After reference 4 End of 10-day period containing the reference date 5 End of 2-week period containing the reference date 6 End of month containing the reference date 8 End of quarter containing the reference date 9 End of year containing the reference date 12 End of half year containing the reference date Code relating terms to a reference date, time or period. Not used
2151	Period type code	C an..3	O	an..3	D Day Code identifying a period
2152	Period count quantity	C n..3	O	n..3	Actual number of periods (days, weeks etc.) belonging to a payment term.

Remark:

Example: PYT+1++++D+2'

MaxOcc = Maximum occurrence of the segment/group St = Status: M=Mandatory, C=Conditional, R=Required, O=Optional, D=Dependent, A=Advised, N=Not used



Tag	St	MaxOcc	
SG8	O	10	Payment instructions
DTM	O	1	Payment due date

EDIFACT			Conti		
Tag	Name	St Format	St	Format	Usage / Remark
C507	Date/time/period	M	M		
2005	Date or time or period function code qualifier	M an..3	M	an..3	140 Payment due date
2380	Date or time or period text	C n8	R	n8	Date when the payment is due in order to comply with the specified payment terms.
2379	Date or time or period format code	C an..3	R	an..3	102 CCYYMMDD

Remark:

This segment can be used in conjunction with any of the applicable qualifiers in the leading PYT segment.

Example: DTM+140:20131128:102'



Tag	St	MaxOcc	
SG8	O	10	Payment instructions
DTM	O	1	Reference date/time

EDIFACT			Conti		
Tag	Name	St Format	St	Format	Usage / Remark
C507	Date/time/period	M	M		
2005	Date or time or period function code qualifier	M an..3	M	an..3	171 Reference date/time
2380	Date or time or period text	C n8	R	n8	Date, the referenced document was issued, usually the invoice issue date
2379	Date or time or period format code	C an..3	R	an..3	102 CCYYMMDD

Remark:

The reference date is related to data element 2009 or code ZZZ in DE 2475 in the previous PYT segment. If data element 2009 is filled, this reference date has to be specified.

Example: DTM+171:20131128:102'



Tag	St	MaxOcc
SG8	O	10 Payment instructions
PCD	D	1 Discount, payment or instalment percentage

EDIFACT			Conti		
Tag	Name	St Format	St	Format	Usage / Remark
C501	Percentage details	M	M		
5245	Percentage type code qualifier	M an..3	M	an..3	Payment Variation Qualifier 7 Percentage of invoice 12 Discount 122 Percentage of total payment Code 7 must be used in conjunction with code 262 in the following MOA segment, DE 5025. Code 12 must be used in conjunction with code 52 in MOA, DE 5025. Code 122 requires code 77 in the MOA segment. Code 122 is used to indicate the percentages of the total payment that is covered by the payment means, which is specified in the triggering PYT segment.
5482	Percentage	C n..10	R	n..10	Amount expressed as a percentage deductible from the total amount due if payment takes place within a specified period or before the fixed due date. Percentage of an (e.g. invoice) total amount - used to specify e.g. payment variations or instalment payments. Amount expressed as a percentage added to the total amount due for payment.
5249	Percentage basis identification code	an..3	N		Not used
1131	Code list identification code	an..17	N		Not used
3055	Code list responsible agency code	an..3	N		Not used
4405	Status description code	an..3	N		Not used

Remark:

This segment specifies - dependent on qualifier of leading PYT segment - the discount percentage or the percentage of an invoice amount that an instalment is based on. The following MOA segment has to match this percentage, if given.

UK: Present HM Customs rules are that where invoice discounts (PYT/4279 = "22") are offered, based on a percentage of the invoice, then the percentage rate must also be explicitly declared - in such cases, the optional PCD segment would be mandatory for UK invoicing purposes. Please note also that, where (settlement) discounts are allowed, the VAT on the invoice is based on the discounted invoice amounts, irrespective of whether the terms of the discount are actually taken up by the Buyer.

Example: PCD+7:5'

MaxOcc = Maximum occurrence of the segment/group St = Status: M=Mandatory, C=Conditional, R=Required, O=Optional, D=Dependent, A=Advised, N=Not used



Tag	St	MaxOcc	
SG8	O	10	Payment instructions
MOA	O	1	Instalment or payment discount amount

EDIFACT			Conti		
Tag	Name	St Format	St	Format	Usage / Remark
C516	Monetary amount	M	M		
5025	Monetary amount type code qualifier	M an..3	M	an..3	52 Discount amount 262 Instalment amount
5004	Monetary amount	C n..15	R	n..15	Value of a discount amount in curreny units Value of an instalment monetary amount in curreny units Value of a penalty monetary amount in curreny units
6345	Currency identification code	C an..3	R	an..3	Code specifying a monetary unit.
6343	Currency type code qualifier	an..3	N		Not used
4405	Status description code	an..3	N		Not used

Remark:

Example: MOA+52:67:EUR'

MaxOcc = Maximum occurrence of the segment/group St = Status: M=Mandatory, C=Conditional, R=Required, O=Optional, D=Dependent, A=Advised, N=Not used



Tag	St	MaxOcc	
SG8	O	10	Payment instructions
MOA	D	1	Monetary amount

EDIFACT			Conti		
Tag	Name	St Format	St	Format	Usage / Remark
C516	Monetary amount	M	M		
5025	Monetary amount type code qualifier	M an..3	M	an..3	372 Direct debit transfer amount
5004	Monetary amount	C n..35	R	n..35	
6345	Currency identification code	C an..3	O	an..3	
6343	Currency type code qualifier	an..3	N		Not used
4405	Status description code	an..3	N		Not used

Remark:

Example: MOA+372:9:EUR'

MaxOcc = Maximum occurrence of the segment/group St = Status: M=Mandatory, C=Conditional, R=Required, O=Optional, D=Dependent, A=Advised, N=Not used



Tag	St	MaxOcc	
SG8	O	10	Payment instructions
PAI	D	1	Payment instructions

EDIFACT			Conti		
Tag	Name	St Format	St	Format	Usage / Remark
C534	Payment instruction details	M	M		
4439	Payment conditions code	an..3	N		Not used
4431	Payment guarantee means code	an..3	N		Not used
4461	Payment means code	C an..3	R	an..3	49 Direct debit
1131	Code list identification code	an..17	N		Not used
3055	Code list responsible agency code	an..3	N		Not used
4435	Payment channel code	an..3	N		Not used

Remark:

Example: PAI+::49'

MaxOcc = Maximum occurrence of the segment/group St = Status: M=Mandatory, C=Conditional, R=Required, O=Optional, D=Dependent, A=Advised, N=Not used



Tag	St	MaxOcc	
SG8	O	10	Payment instructions
FII	O	1	Financial institution information

EDIFACT			Conti			
Tag	Name	St Format	St	Format	Usage / Remark	
3035	Party function code qualifier	M an..3	M	an..3	RH Seller's financial institution BI Buyer's financial institution	
C078	Account holder identification	C	R			
3194	Account holder identifier	C an..35	R	an..35	IBAN / Account number at the financial institution where this account is held.	
3192	Account holder name	C an..35	O	an..35	Name of the official account holder, as registered with a financial institution.	
3192	Account holder name	C an..35	O	an..35		
6345	Currency identification code	an..3	N		Not used	
C088	Institution identification	C	O		Details to identify or reference a financial institution according to legal and business requirements.	
3433	Institution name code	C an..11	O	an..11	Bank identifier as assigned by S.W.I.F.T. organisation.	
1131	Code list identification code	an..17	N		Not used	
3055	Code list responsible agency code	C an..3	O	an..3	17 S.W.I.F.T.	
3434	Institution branch identifier	C an..17	O	an..17	A unique number allocated to identify a financial institution.	
1131	Code list identification code	C an..17	O	an..17	Identifier of a code list, assigned by the responsible organisation or agency	
3055	Code list responsible agency code	C an..3	O	an..3	Agency responsible for code list / identifier maintenance	
3432	Institution name	C an..70	O	an..70	The name of the financial institution	
3436	Institution branch location name	an..70	N		Not used	
3207	Country identifier	an..3	N		Not used	

Remark:

Example: FII+RH+4433221100:Iron Parts Ltd.:Kontoinhaber2+:::10090000::131:Volksbank'

MaxOcc = Maximum occurrence of the segment/group St = Status: M=Mandatory, C=Conditional, R=Required, O=Optional, D=Dependent, A=Advised, N=Not used



Tag	St	MaxOcc	
SG26	R	900	Line item section
LIN	M	1	Line item and article nuber

EDIFACT			Conti		
Tag	Name	St Format	St	Format	Usage / Remark
1082	Line item identifier	C n..6	R	n..6	Sequential number generated by the sender to identify a line item within a message. It is recommended to start with value 1 and to increment by 1 for each new line.
1229	Action code	an..3	N		Not used
C212	Item number identification	C	O		
7140	Item identifier	C an..35	R	an..35	Information directly relating to the identification of an article by the buyer's identification system. Note: The term article is synonymous to the term item. In the global joint automotive guidelines the term article is used.
7143	Item type identification code	C an..3	R	an..3	IN Buyer's item number
1131	Code list identification code	an..17	N		Not used
3055	Code list responsible agency code	an..3	N		Not used
C829	Sub-line information		N		
5495	Sub-line indicator code	an..3	N		Not used
1082	Line item identifier	an..6	N		Not used
1222	Configuration level number	n..2	N		Not used
7083	Configuration operation code	an..3	N		Not used

Remark:
Line item level of an invoice document.

Example: LIN+1++1234:IN'

MaxOcc = Maximum occurrence of the segment/group St = Status: M=Mandatory, C=Conditional, R=Required, O=Optional, D=Dependent, A=Advised, N=Not used



Tag	St	MaxOcc	
SG26	R	900	Line item section
PIA	O	1	Additional article identifier(s) 1

EDIFACT			Conti		
Tag	Name	St Format	St	Format	Usage / Remark
4347	Product identifier code qualifier	M an..3	M	an..3	1 Additional identification
C212	Sellers Article Number	M	M		
7140	Item identifier	C an..35	R	an..35	Information directly relating to the identification of an item by the seller's identification system. Note: The term article is synonymous to the term item. In the global joint automotive guidelines the term article is used.
7143	Item type identification code	C an..3	R	an..3	SA Supplier's article number
1131	Code list identification code	an..17	N		Not used
3055	Code list responsible agency code	an..3	N		Not used
C212	Item number identification		N		
7140	Item identifier	an..35	N		Not used
7143	Item type identification code	an..3	N		Not used
1131	Code list identification code	an..17	N		Not used
3055	Code list responsible agency code	an..3	N		Not used
C212	Item number identification		N		
7140	Item identifier	an..35	N		Not used
7143	Item type identification code	an..3	N		Not used
1131	Code list identification code	an..17	N		Not used
3055	Code list responsible agency code	an..3	N		Not used
C212	Item number identification		N		
7140	Item identifier	an..35	N		Not used
7143	Item type identification code	an..3	N		Not used
1131	Code list identification code	an..17	N		Not used
3055	Code list responsible agency code	an..3	N		Not used
C212	Item number identification		N		
7140	Item identifier	an..35	N		Not used
7143	Item type identification code	an..3	N		Not used
1131	Code list identification code	an..17	N		Not used
3055	Code list responsible agency code	an..3	N		Not used

Remark:

Example: PIA+1+9876:SA'

MaxOcc = Maximum occurrence of the segment/group St = Status: M=Mandatory, C=Conditional, R=Required, O=Optional, D=Dependent, A=Advised, N=Not used



Tag	St	MaxOcc	
SG26	R	900	Line item section
IMD	R	5	Description of article or service

EDIFACT			Conti		
Tag	Name	St Format	St	Format	Usage / Remark
7077	Description format code	an..3	N		Not used
C272	Item characteristic		N		
7081	Item characteristic code	an..3	N		Not used
1131	Code list identification code	an..17	N		Not used
3055	Code list responsible agency code	an..3	N		Not used
C273	Item description	C	R		
7009	Item description code	an..17	N		Not used
1131	Code list identification code	an..17	N		Not used
3055	Code list responsible agency code	an..3	N		Not used
7008	Item description	C an..256	R	an..256	The short name or description of an article or service in plain text.
7008	Item description	an..256	N		Not used
3453	Language name code	an..3	N		Not used
7383	Surface or layer code	an..3	N		Not used

Remark:

Example: IMD+++:::Article description'

MaxOcc = Maximum occurrence of the segment/group St = Status: M=Mandatory, C=Conditional, R=Required, O=Optional, D=Dependent, A=Advised, N=Not used



Tag	St	MaxOcc	
SG26	R	900	Line item section
QTY	R	1	Invoiced quantity

EDIFACT			Conti		
Tag	Name	St Format	St	Format	Usage / Remark
C186	Quantity details	M	M		
6063	Quantity type code qualifier	M an..3	M	an..3	47 Invoiced quantity
6060	Quantity	M n..15	M	n..15	Invoiced quantity value
6411	Measurement unit code	C an..3	R	an..3	Code specifying the unit of measurement.

Remark:

The quantity invoiced is necessary for line items belonging to an invoice, credit or debit note.

Example: QTY+47:9:C62'

MaxOcc = Maximum occurrence of the segment/group St = Status: M=Mandatory, C=Conditional, R=Required, O=Optional, D=Dependent, A=Advised, N=Not used



Tag	St	MaxOcc	
SG26	R	900	Line item section
ALI	O	1	Country of origin, customs information and booking key

EDIFACT			Conti		
Tag	Name	St Format	St	Format	Usage / Remark
3239	Country of origin identifier	C a2	O	a2	Country Of Origin Coded: Country in which goods have been produced or manufactured, according to criteria laid down for the purposes of application of the customs tariff, quantitative restrictions, etc.
9213	Duty regime type code	C an..3	O	an..3	A statement of the full/preferential regime according to which duty is assessed. This indicator is being used to determine the appropriate customs duty. The appropriate preference declaration to all items with the code 'Y' is to be given in the invoice header, FTX+CUS.
4183	Special condition code	C an..3	O	an..3	This data element can be used to indicate the booking key that is used for the line item in self billed invoice scenarios. 67 Delivery with change of ownership 69 Supply for consignment 140 Return of goods
4183	Special condition code	an..3	N		Not used
4183	Special condition code	an..3	N		Not used
4183	Special condition code	an..3	N		Not used
4183	Special condition code	an..3	N		Not used

Remark:

Example: ALI++N+67'

MaxOcc = Maximum occurrence of the segment/group St = Status: M=Mandatory, C=Conditional, R=Required, O=Optional, D=Dependent, A=Advised, N=Not used



Tag	St	MaxOcc	
SG26	R	900	Line item section
DTM	D	1	Delivery or service completion date

EDIFACT			Conti		
Tag	Name	St Format	St	Format	Usage / Remark
C507	Date/time/period	M	M		
2005	Date or time or period function code qualifier	M an..3	M	an..3	1 Service completion date/time, actual
2380	Date or time or period text	C n..12	R	n..12	Service completion date
2379	Date or time or period format code	C an..3	R	an..3	102 CCYYMMDD

Remark:

If the line items of an invoice have different delivery or service completion dates, then this date has to be given for each line item. The delivery date on header level contains the last delivery date and is relevant for the allocation of the taxes to a tax period.

Example: DTM+1:20100308:102'



Tag	St	MaxOcc	
SG26	R	900	Line item section
FTX	O	99	Tax exemption reason text

EDIFACT			Conti		
Tag	Name	St Format	St	Format	Usage / Remark
4451	Text subject code qualifier	M an..3	M	an..3	TXD Tax declaration
4453	Free text function code	an..3	N		Not used
C107	Text reference		N		
4441	Free text description code	an..17	N		Not used
1131	Code list identification code	an..17	N		Not used
3055	Code list responsible agency code	an..3	N		Not used
C108	Text literal	C	R		
4440	Free text	M an..256	M	an..256	Tax exemption reason text (reference to the provision in the EU directive in text)
4440	Free text	C an..256	O	an..256	See DE 4440 #1
4440	Free text	C an..256	O	an..256	See DE 4440 #1
4440	Free text	C an..256	O	an..256	See DE 4440 #1
4440	Free text	C an..256	O	an..256	See DE 4440 #1
3453	Language name code	C an..3	O	an..3	Code specifying the language name. Use ISO 639-1988
4447	Free text format code	an..3	N		Not used

Remark:

Example: FTX+TXD+++X:X:X:X+aa'

MaxOcc = Maximum occurrence of the segment/group St = Status: M=Mandatory, C=Conditional, R=Required, O=Optional, D=Dependent, A=Advised, N=Not used



Tag	St	MaxOcc
SG27	R	1 Line item net amount
MOA	M	1 Line item net amount in invoice currency

EDIFACT			Conti		
Tag	Name	St Format	St	Format	Usage / Remark
C516	Monetary amount	M	M		
5025	Monetary amount type code qualifier	M an..3	M	an..3	203 Line item amount
5004	Monetary amount	C n..15	R	n..15	Value of line item net amount in currency units - for currency refer to CUX segment (invoice currency)
6345	Currency identification code	C an..3	R	an..3	Code specifying a monetary unit.
6343	Currency type code qualifier	an..3	N		Not used
4405	Status description code	an..3	N		Not used

Remark:

The line item amount is the total related to this line item. It includes rebates and additions but excludes payment discount and VAT.
 Calculation formula: Net price amount * invoiced quantity = (invoiced quantity * gross price) plus / minus allowances or charges.

Example: MOA+203:9:EUR'

MaxOcc = Maximum occurrence of the segment/group St = Status: M=Mandatory, C=Conditional, R=Required, O=Optional, D=Dependent, A=Advised, N=Not used



Tag	St	MaxOcc	
SG29	O	1	Calculation gross price
PRI	M	1	Price details

EDIFACT			Conti		
Tag	Name	St Format	St	Format	Usage / Remark
C509	Price information	C	R		
5125	Price code qualifier	M an..3	M	an..3	AAB Calculation gross
5118	Price amount	C n..15	R	n..15	Unit gross price amount in price currency units
5375	Price type code	an..3	N		Not used
5387	Price specification code	C an..3	O	an..3	CON Contract price The contract price is considered to be the standard gross price. AAL and ABM are used for retrospective price adjustments.
5284	Unit price basis quantity	C n..9	O	n..9	Basis on which the unit price/rate applies.
6411	Measurement unit code	C an..3	O	an..3	Code specifying the unit of measurement.
5213	Sub-line item price change operation code	an..3	N		Not used

Remark:

Price without allowances and charges, this represents the gross price applicable to the line, but does not include any allowances/charges that may be applicable to the line and which are deductible from the gross price.

Example: PRI+AAB:9::AAL::KGM'



Tag	St	MaxOcc
SG30	O	1 Frame contract (blanket order) / Order / Purchase order
RFF	M	1 Frame contract (blanket order) / Order / Purchase order

		EDIFACT	Conti			
Tag	Name	St	Format	St	Format	Usage / Remark
C506	Reference	M		M		
1153	Reference code qualifier	M	an..3	R	an..3	ON Order document identifier, buyer assigned Type of reference, coded In the context of this VDA recommendation the codes are to be interpreted as follows: ON = Frame contract (blanket order) / Order / Purchase order
1154	Reference identifier	C	an..35	R	an..35	Unique identifier of the referenced document
1156	Document line identifier	C	n..6	O	n..6	Sequential number generated by the sender to identify a line item within a message. It is recommended to start with value 1 and to increment by 1 for each new line.
1056	Version identifier		an..9	N		Not used
1060	Revision identifier		an..6	N		Not used

Remark:

Example: RFF+ON:Bestellnummer:1'

MaxOcc = Maximum occurrence of the segment/group St = Status: M=Mandatory, C=Conditional, R=Required, O=Optional, D=Dependent, A=Advised, N=Not used



Tag	St	MaxOcc
-----	----	--------

SG30 O 1 **Despatch note / delivery note (synonym)**
 Belegnummer WE auf Abrechnungs-LP

RFF M 1 **Reference message number**

EDIFACT			Conti		
Tag	Name	St Format	St	Format	Usage / Remark
C506	Reference	M	M		
1153	Reference code qualifier	M an..3	R	an..3	AAU Despatch note document identifier Type of reference, coded
1154	Reference identifier	C an..35	R	an..35	Unique identifier of the referenced document
1156	Document line identifier	C n..6	O	n..6	Sequential number generated by the sender to identify a line item within a message. It is recommended to start with value 1 and to increment by 1 for each new line.
1056	Version identifier	an..9	N		Not used
1060	Revision identifier	an..6	N		Not used

Remark:

Example: RFF+AAU:Lieferscheinnummer:1'

MaxOcc = Maximum occurrence of the segment/group St = Status: M=Mandatory, C=Conditional, R=Required, O=Optional, D=Dependent, A=Advised, N=Not used



Tag	St	MaxOcc
-----	----	--------

SG30 O 1 **Despatch note / delivery note (synonym)**
 Belegnummer WE auf Abrechnungs-LP

DTM O 1 **Reference message date**

EDIFACT			Conti		
Tag	Name	St Format	St	Format	Usage / Remark
C507	Date/time/period	M	M		
2005	Date or time or period function code qualifier	M an..3	M	an..3	171 Reference date/time
2380	Date or time or period text	C n..12	R	n..12	Reference Document Date/Time
2379	Date or time or period format code	C an..3	R	an..3	102 CCYYMMDD

Remark:

Example: DTM+171:20131120:102'

MaxOcc = Maximum occurrence of the segment/group St = Status: M=Mandatory, C=Conditional, R=Required, O=Optional, D=Dependent, A=Advised, N=Not used



Tag	St	MaxOcc	
SG30	O	1	Goods receipt number / consignment withdrawal or aggregation number
RFF	M	1	Reference message number

EDIFACT			Conti		
Tag	Name	St Format	St	Format	Usage / Remark
C506	Reference	M	M		
1153	Reference code qualifier	M an..3	R	an..3	ALO Receiving advice number Type of reference, coded
1154	Reference identifier	C an..35	R	an..35	Unique identifier of the referenced document
1156	Document line identifier	C n..6	O	n..6	Sequential number generated by the sender to identify a line item within a message. It is recommended to start with value 1 and to increment by 1 for each new line.
1056	Version identifier	an..9	N		Not used
1060	Revision identifier	an..6	N		Not used

Remark:

Example: RFF+ALO:Wareneingangsnummer:5'



Tag	St	MaxOcc
SG30	O	1 internal-order-number
RFF	M	1 Reference message number

EDIFACT			Conti		
Tag	Name	St Format	St	Format	Usage / Remark
C506	Reference	M	M		
1153	Reference code qualifier	M an..3	R	an..3	Type of reference, coded IL Internal order number
1154	Reference identifier	C an..35	R	an..35	Unique identifier of the referenced document
1156	Document line identifier	C n..6	O	n..6	Sequential number generated by the sender to identify a line item within a message. It is recommended to start with value 1 and to increment by 1 for each new line.
1056	Version identifier	an..9	N		Not used
1060	Revision identifier	an..6	N		Not used

Remark:

Example: RFF+IL:Abrechnungslieferplannummer:5'

MaxOcc = Maximum occurrence of the segment/group St = Status: M=Mandatory, C=Conditional, R=Required, O=Optional, D=Dependent, A=Advised, N=Not used



Tag	St	MaxOcc
SG34	R	1 VAT rate and amount for line item
TAX	M	1 VAT or other tax rate

EDIFACT			Conti		
Tag	Name	St Format	St	Format	Usage / Remark
5283	Duty or tax or fee function code qualifier	M an..3	M	an..3	7 Tax Code qualifying the function of a duty or tax or fee.
C241	Duty/tax/fee type	C	R		
5153	Duty or tax or fee type name code	C an..3	O	an..3	VAT Value added tax Code specifying a type of duty, tax or fee. Code OTH shall be used when the tax in question is not one of the listed. Code SUR is used to qualify the used part tax, which is additional to VAT (currently 10% of VAT amount due for the used part).
1131	Code list identification code	an..17	N		Not used
3055	Code list responsible agency code	an..3	N		Not used
5152	Duty or tax or fee type name	an..35	N		Not used
C533	Duty/tax/fee account detail		N		
5289	Duty or tax or fee account code	an..6	N		Not used
1131	Code list identification code	an..17	N		Not used
3055	Code list responsible agency code	an..3	N		Not used
5286	Duty or tax or fee assessment basis quantity	an..15	N		Not used
C243	Duty/tax/fee detail	C	R		
5279	Duty or tax or fee rate code	an..7	N		Not used
1131	Code list identification code	an..17	N		Not used
3055	Code list responsible agency code	an..3	N		Not used
5278	Duty or tax or fee rate	C n..7	R	n..7	The tax rate (numeric) should be presented as follows: 19.5% ==> :19.5 Rate (percentage) of the specified tax.
5273	Duty or tax or fee rate basis code	an..12	N		Not used
1131	Code list identification code	an..17	N		Not used
3055	Code list responsible agency code	an..3	N		Not used
5305	Duty or tax or fee category code	C an..3	O	an..3	Under EU directive and national law, any exemption from tax has to be declared more detailed. There are several provisions in the directive, which allow exemption. In the European environment it is necessary to state this reason whenever the invoice issuer declares an invoice item or the whole invoice to be VAT exempt. Code specifying a duty or tax or fee category. This code list contains codes referencing to the Sixth EU directive regarding tax exemption and special procedures. It is intended to be harmonised with other European industry organisations and finally the codes shall be added to the UN/EDIFACT code list 5305 to facilitate a homogeneous implementation of the directive's provisions throughout Europe. The use of any valid EDIFACT code is permitted, the trading partners may limit the codes in accordance with business and legal requirements. (1) Codes created to comply with the European invoicing directive. These codes are not yet part of the official EDIFACT

MaxOcc = Maximum occurrence of the segment/group St = Status: M=Mandatory, C=Conditional, R=Required, O=Optional, D=Dependent, A=Advised, N=Not used



EDIFACT			Conti		
Tag	Name	St Format	St	Format	Usage / Remark
					code list. S Standard rate
3446	Party tax identifier	an..20	N		Not used
1227	Calculation sequence code	an..3	N		Not used
5307	Tax or duty or fee payment due date code	an..3	N		Not used

Remark:

This segment group is required when VAT is calculated at the line item level. Tax identification is required at the line item level as different goods and services can be taxed at different rates. That concerns VAT as well as different intrastate or interstate tax rates in the US.

Example: TAX+7+VAT+++:::19+AA'



Tag	St	MaxOcc
UNS	M	1 Section control

EDIFACT			Conti	
Tag	Name	St Format	St Format	Usage / Remark
0081	Section identification	M a1	M a1	S Detail/summary section separation

Remark:

Example: UNS+S'

MaxOcc = Maximum occurrence of the segment/group St = Status: M=Mandatory, C=Conditional, R=Required, O=Optional, D=Dependent, A=Advised, N=Not used



Tag	St	MaxOcc	
SG50	R	3	Invoice amount
MOA	M	1	Invoice amount

EDIFACT			Conti		
Tag	Name	St Format	St	Format	Usage / Remark
C516	Monetary amount	M	M		
5025	Monetary amount type code qualifier	M an..3	M	an..3	77 Invoice line item amount
5004	Monetary amount	C n..15	R	n..15	Invoice total amount, including taxes (if applicable)
6345	Currency identification code	C an..3	R	an..3	Code specifying a monetary unit.
6343	Currency type code qualifier	an..3	N		Not used
4405	Status description code	an..3	N		Not used

Remark:

Total sum charged in respect of a single invoice in accordance with the terms of delivery.
 Invoice amount (MOA+77) is the sum of:
 line item amounts (MOA+79)
 plus total invoice additional amount (MOA+136)
 plus total duty/tax/fee amount (MOA+176)

Relation between Home Currency and Invoicing Currency is established through data element 5402 (rate of exchange) in the CUX segment at header level.

Example: MOA+77:1000:EUR '

MaxOcc = Maximum occurrence of the segment/group St = Status: M=Mandatory, C=Conditional, R=Required, O=Optional, D=Dependent, A=Advised, N=Not used



Tag	St	MaxOcc
SG50	R	3 Total tax amount
MOA	M	1 Total tax amount

EDIFACT			Conti		
Tag	Name	St Format	St	Format	Usage / Remark
C516	Monetary amount	M	M		
5025	Monetary amount type code qualifier	M an..3	M	an..3	176 Message total duty/tax/fee amount
5004	Monetary amount	C n..15	R	n..15	Value of tax amount in currency units
6345	Currency identification code	C an..3	R	an..3	Code specifying a monetary unit.
6343	Currency type code qualifier	an..3	N		Not used
4405	Status description code	an..3	N		Not used

Remark:

Example: MOA+176:9:EUR'

MaxOcc = Maximum occurrence of the segment/group St = Status: M=Mandatory, C=Conditional, R=Required, O=Optional, D=Dependent, A=Advised, N=Not used



Tag	St	MaxOcc
SG50	O	3 Total line items amount
MOA	M	1 Total line items amount (sum of net line items amounts)

EDIFACT			Conti		
Tag	Name	St Format	St	Format	Usage / Remark
C516	Monetary amount	M	M		
5025	Monetary amount type code qualifier	M an..3	M	an..3	79 Total line items amount
5004	Monetary amount	C n..15	R	n..15	Total line items amount
6345	Currency identification code	C an..3	R	an..3	Code specifying a monetary unit.
6343	Currency type code qualifier	an..3	N		Not used
4405	Status description code	an..3	N		Not used

Remark:
Sum of all line items net amounts (MOA+203...)

Example: MOA+79:9:EUR'

MaxOcc = Maximum occurrence of the segment/group St = Status: M=Mandatory, C=Conditional, R=Required, O=Optional, D=Dependent, A=Advised, N=Not used



Tag	St	MaxOcc
SG52	R	10 Tax rates and amounts
TAX	M	1 Tax type and rate

EDIFACT			Conti		
Tag	Name	St Format	St	Format	Usage / Remark
5283	Duty or tax or fee function code qualifier	M an..3	M	an..3	7 Tax Code qualifying the function of a duty or tax or fee.
C241	Duty/tax/fee type	C	R		
5153	Duty or tax or fee type name code	C an..3	R	an..3	VAT Value added tax Code specifying a type of duty, tax or fee. Code SUR is used to qualify the used part tax, which is additional to VAT (currently 10% of VAT amount).
1131	Code list identification code	an..17	N		Not used
3055	Code list responsible agency code	an..3	N		Not used
5152	Duty or tax or fee type name	an..35	N		Not used
C533	Duty/tax/fee account detail		N		
5289	Duty or tax or fee account code	an..6	N		Not used
1131	Code list identification code	an..17	N		Not used
3055	Code list responsible agency code	an..3	N		Not used
5286	Duty or tax or fee assessment basis quantity	an..15	N		Not used
C243	Duty/tax/fee detail	C	R		
5279	Duty or tax or fee rate code	an..7	N		Not used
1131	Code list identification code	an..17	N		Not used
3055	Code list responsible agency code	an..3	N		Not used
5278	Duty or tax or fee rate	C n..7	R	n..7	The tax rate (numeric) should be presented in an alpha-numeric field as follows: 19.5% ==> :19.5 Rate (percentage) of the specified tax.
5273	Duty or tax or fee rate basis code	an..12	N		Not used
1131	Code list identification code	an..17	N		Not used
3055	Code list responsible agency code	an..3	N		Not used
5305	Duty or tax or fee category code	C an..3	D	an..3	Under 6th EU directive, any exemption from tax has to be declared more detailed. There are several provisions in the directive, which allow exemption. In the European environment it is necessary to state this reason whenever the invoice issuer declares an invoice item or the whole invoice to be VAT exempt. Code specifying a duty or tax or fee category. This code list contains codes referencing to the Sixth EU directive regarding tax exemption and special procedures. It is intended to be harmonised with other European industry organisations and finally the codes shall be added to the UN/EDIFACT code list 5305 to facilitate a homogeneous implementation of the directive's provisions throughout Europe. The use of any valid EDIFACT code is permitted, the trading partners may limit the codes in accordance with business and legal requirements. (1) Codes created to comply with the European invoicing directive. These codes are not yet part of the official EDIFACT code list. In Europe it is recommended or may be even required to use these more specific codes instead of code E. Recommendation:

MaxOcc = Maximum occurrence of the segment/group St = Status: M=Mandatory, C=Conditional, R=Required, O=Optional, D=Dependent, A=Advised, N=Not used



EDIFACT			Conti		
Tag	Name	St Format	St	Format	Usage / Remark
					S Standard rate
3446	Party tax identifier	an..20	N		Not used
1227	Calculation sequence code	an..3	N		Not used
5307	Tax or duty or fee payment due date code	an..3	N		Not used

Remark:

Example: TAX+7+VAT++++:19+S'



Tag	St	MaxOcc
SG52	R	10 Tax rates and amounts
MOA	R	1 Taxable amount in invoice currency

EDIFACT			Conti		
Tag	Name	St Format	St	Format	Usage / Remark
C516	Monetary amount	M	M		
5025	Monetary amount type code qualifier	M an..3	M	an..3	125 Taxable amount
5004	Monetary amount	C n..15	R	n..15	Value of a taxable amount in currency units
6345	Currency identification code	C an..3	R	an..3	Code specifying a monetary unit.
6343	Currency type code qualifier	an..3	N		Not used
4405	Status description code	an..3	N		Not used

Remark:

Example: MOA+125:9:EUR'

MaxOcc = Maximum occurrence of the segment/group St = Status: M=Mandatory, C=Conditional, R=Required, O=Optional, D=Dependent, A=Advised, N=Not used



Tag	St	MaxOcc	
SG53	D	15	Delivery costs
ALC	M	1	Charge

EDIFACT			Conti		
Tag	Name	St Format	St	Format	Usage / Remark
5463	Allowance or charge code qualifier	M an..3	M	an..3	C Charge
C552	Allowance/charge information		N		
1230	Allowance or charge identifier	an..35	N		Not used
5189	Allowance or charge identification code	an..3	N		Not used
4471	Settlement means code	an..3	N		Not used
1227	Calculation sequence code	an..3	N		Not used
C214	Special services identification	C	R		
7161	Special service description code	C an..3	R	an..3	ABK Miscellaneous ABM ABO ABP ABW FC Freight service FI Financing HD Handling IN PC Packing
1131	Code list identification code	an..17	N		Not used
3055	Code list responsible agency code	C an..3	O	an..3	272 Joint Automotive Industry agency
7160	Special service description	an..35	N		Not used
7160	Special service description	an..35	N		Not used

Remark:

This segment group is used for additional charge on invoice level (e.g. freight, packaging), i.e. in addition to charges that might be stated at individual line items. It is not the sum of line item charges.

Example: ALC+C++++ABK: : 272 '

MaxOcc = Maximum occurrence of the segment/group St = Status: M=Mandatory, C=Conditional, R=Required, O=Optional, D=Dependent, A=Advised, N=Not used



Tag	St	MaxOcc	
SG53	D	15	Delivery costs
MOA	R	1	Charge amount

EDIFACT			Conti		
Tag	Name	St Format	St	Format	Usage / Remark
C516	Monetary amount	M	M		
5025	Monetary amount type code qualifier	M an..3	M	an..3	8 Allowance or charge amount
5004	Monetary amount	C n..35	R	n..35	Charge amount
6345	Currency identification code	C an..3	R	an..3	Code specifying a monetary unit.
6343	Currency type code qualifier	an..3	N		Not used
4405	Status description code	an..3	N		Not used

Remark:

Example: MOA+8:9:EUR'

MaxOcc = Maximum occurrence of the segment/group St = Status: M=Mandatory, C=Conditional, R=Required, O=Optional, D=Dependent, A=Advised, N=Not used

Tag	St	MaxOcc	
SG53	D	15	Delivery costs
FTX	O	1	Charge description text

EDIFACT			Conti		
Tag	Name	St Format	St	Format	Usage / Remark
4451	Text subject code qualifier	M an..3	M	an..3	ALC Allowance/charge information
4453	Free text function code	an..3	N		Not used
C107	Text reference		N		
4441	Free text description code	an..17	N		Not used
1131	Code list identification code	an..17	N		Not used
3055	Code list responsible agency code	an..3	N		Not used
C108	Text literal	C	R		
4440	Free text	M an..256	M	an..256	Additional charge description text
4440	Free text	C an..256	O	an..256	See DE 4440 #1
4440	Free text	C an..256	O	an..256	See DE 4440 #1
4440	Free text	C an..256	O	an..256	See DE 4440 #1
4440	Free text	C an..256	O	an..256	See DE 4440 #1
3453	Language name code	C an..3	O	an..3	Code specifying the language name. Use ISO 639-1988
4447	Free text format code	an..3	N		Not used

Remark:

Example: FTX+ALC+++X:X:X:X+en'

MaxOcc = Maximum occurrence of the segment/group St = Status: M=Mandatory, C=Conditional, R=Required, O=Optional, D=Dependent, A=Advised, N=Not used



Tag	St	MaxOcc
-----	----	--------

UNT	M	1 Message trailer
------------	---	-------------------

EDIFACT			Conti		
Tag	Name	St Format	St	Format	Usage / Remark
0074	Number of segments in the message	M n..6	M	n..6	Number of segments in the message
0062	Message reference number	M an..14	M	an..14	

Remark:

Example: UNT+55+1'

MaxOcc = Maximum occurrence of the segment/group St = Status: M=Mandatory, C=Conditional, R=Required, O=Optional, D=Dependent, A=Advised, N=Not used



Tag	St	MaxOcc
UNZ	M	1 Interchange trailer

EDIFACT			Conti		
Tag	Name	St Format	St	Format	Usage / Remark
0036	Interchange control count	M n..6	M	n..6	Number of messages in the data interchange.
0020	Interchange control reference	M an..14	M	an..14	Repetition of the value transmitted in UNB data element 0020.

Remark:

Example: UNZ+1+144659'

MaxOcc = Maximum occurrence of the segment/group St = Status: M=Mandatory, C=Conditional, R=Required, O=Optional, D=Dependent, A=Advised, N=Not used

Example Message

No	Tag	Example
01	UNA	UNA:+.? '
02	UNB	UNB+UNOC:3+OD012345:59:123+987654321:1:X+071205:1446+144659+++++1'
03	UNH	UNH+1+INVOIC:D:07A:UN:GAVAL2'
04	BGM	BGM+389:::Gutschrift+Rechnungsnummer+9'
05	DTM	DTM+137:20131126:102'
06	DTM	DTM+1:20100308:102'
07	FTX	FTX+REG+++Gutschrift:Text:Text:Text:Text+de'
08	FTX	FTX+TXD+++Text:Text:Text:Text:Text+de'
	SG2	
09	NAD	NAD+BY+Identifler:::91+Name+Name:Name:Name+Strasse:Strasse+Ort++PLZ+DE'
	SG3	
10	RFF	RFF+VA:7656444'
	SG3	
11	RFF	RFF+ADE:7656444'
	SG5	
12	CTA	CTA+IC+X:X'
13	COM	COM+X:TE'
	SG5	
14	CTA	CTA+QA+X:X'
15	COM	COM+X:TE'
	SG2	
16	NAD	NAD+ST+Identifler:::92++Name:Name:Name:Name+Strasse:Strasse+Ort++PLZ+DE'
	SG2	
17	NAD	NAD+SE+Identifler:::92++Name:Name:Name:Name+Strasse:Strasse+Ort++PLZ+DE'
	SG3	
18	RFF	RFF+FC:Steuernummer'
	SG3	
19	RFF	RFF+VA:Umsatzsteuernummer des Verkäufers'
	SG5	
20	CTA	CTA+IC+:Name'
21	COM	COM+Telefonnummer:TE'
	SG7	
22	CUX	CUX+2:EUR:4+3:USD:11+1'
23	DTM	DTM+134:20131128:102'
	SG7	

No = Consecutive segment number



No	Tag	Example
24	CUX	CUX+3:HUF:3++1'
25	DTM	DTM+134::102'
SG8		
26	PYT	PYT+1++++D+2'
27	DTM	DTM+140:20131128:102'
28	DTM	DTM+171:20131128:102'
29	PCD	PCD+7:5'
30	MOA	MOA+52:67:EUR'
31	MOA	MOA+372:9:EUR'
32	PAI	PAI+:::49'
33	FII	FII+RH+4433221100:Iron Parts Ltd.:Kontoinhaber2+:::10090000:::131:Volks bank'
SG26		
34	LIN	LIN+1++1234:IN'
35	PIA	PIA+1+9876:SA'
36	IMD	IMD+++:::Article description'
37	QTY	QTY+47:9:C62'
38	ALI	ALI++N+67'
39	DTM	DTM+1:20100308:102'
40	FTX	FTX+TXD+++X:X:X:X+aa'
SG27		
41	MOA	MOA+203:9:EUR'
SG29		
42	PRI	PRI+AAB:9:::AAL::KGM'
SG30		
43	RFF	RFF+ON:Bestellnummer:1'
SG30		
44	RFF	RFF+AAU:Lieferscheinnummer:1'
45	DTM	DTM+171:20131120:102'
SG30		
46	RFF	RFF+ALO:Wareneingangsnummer:5'
SG30		
47	RFF	RFF+IL:Abrechnungslieferplannummer:5'
SG34		
48	TAX	TAX+7+VAT+++:::19+AA'
49	UNS	UNS+S'
SG50		
50	MOA	MOA+77:1000:EUR'

No = Consecutive segment number



No	Tag	Example
SG50		
51	MOA	MOA+176:9:EUR'
SG50		
52	MOA	MOA+79:9:EUR'
SG52		
53	TAX	TAX+7+VAT+++:::19+S'
54	MOA	MOA+125:9:EUR'
SG53		
55	ALC	ALC+C+++ABK::272'
56	MOA	MOA+8:9:EUR'
57	FTX	FTX+ALC+++X:X:X:X+en'
58	UNT	UNT+55+1'
59	UNZ	UNZ+1+144659'

No = Consecutive segment number